

Effective from
04/07/2011

L&T SWITCHGEAR
SAFE & SURE

Maximum Retail Prices for Electrical Standard Products





U-POWER AIR CIRCUIT BREAKERS **OMEGA**

- Range from 400A - 6300A in three optimized frames sizes
- Upgradable modular protection & control unit
- Optimally compact with generous termination area
- Energy saving voltmetric releases
- Unmatched safety & security

C-line CHANGEOVER SWITCHES

- Range from 125A - 1000A
- Staggered terminals
- Dual shaft positions
- Flip - able handle for easy operation
- Live parts shrouded to avoid accidental contact
- Conversion to fused version at site



SUPERNOVA™ MOG MOTOR PROTECTION CIRCUIT BREAKERS

- Range from 0.16A - 63A
- High breaking capacity
- Compact
- Front mounting alarm & auxiliary contact

SUPERNOVA™ MO CONTACTORS

- Range from 9A - 110A in three frame sizes
- Compact
- Completely shrouded
- Low VA consumption
- Lug less termination possible
- Common accessories throughout the range



LTXL ULTRA HEAVY DUTY CAPACITORS

- Range from 5 kVAr - 50 kVAr
- Long life expectancy (upto 300000 hrs)
- High inrush current withstand capability (upto 500 times I_R)
- Low power loss (< 0.35 W/kVAr)
- Lower operating temperature

CONTENTS

DESCRIPTION	PAGE NO.
AIR-CIRCUIT BREAKERS	1 - 7
MOULDED CASE CIRCUIT BREAKERS	9 - 16
SWITCH DISCONNECTOR FUSE UNIT, SDs & HRC FUSES	17-20
ON-LOAD CHANGE OVER SWITCHES	21
CONTACTORS	22 - 23
BIMETAL OVERLOAD RELAYS	26 - 27
TIMERS & CONTROL ACCESSORIES	27
MOTOR PROTECTION CIRCUIT BREAKERS	28
MOTOR STARTERS	29 -30
DIGITAL SOFT STARTERS	31
PROGRAMMABLE LOGIC CONTROLLERS (PLC)	32
L μ 1000 PROGRAMMABLE SMART RELAY	33
MAN MACHINE INTERFACE (MMI)	33
REACTIVE POWER MANAGEMENT PRODUCTS	34
DIGITAL PROTECTIVE RELAYS	35 - 36
ELECTRONIC METERING DEVICES	37
DISCONTINUED PRODUCTS	38

**Please contact the nearest L&T branch office for
Prices of the following products :**

- **Distribution System Components such as 6kA, 10kA MCBs, ELCB etc.**
- **AC Variable Frequency Drives**
- **AC Servo Motors & Drives**
- **3 Phase squirrel cage induction motor**
- **Motion Control Solutions**
- **Wires, Cables and Flat Cables**
- **Busbar Trunking Systems**
- **Building Automation Products**
- **Home Automation Products**
- **Rotary Switches**
- **Modular Remote Control Units**
- **Timing Devices**
- **Cable Ducts & LB Series Switches**

AIR CIRCUIT BREAKERS - C-POWER

C-POWER S1 range of Air Circuit Breaker conform to IS/IEC 60947-2 & IEC 60947-2

Rating - 630A to 3200A

Version - 3 Pole / 4 Pole, Manually/Electrically operated Draw-out type

Protection Release

- 1) Thermal-Magnetic : Type DN1 - LS + option of earth fault protection
- 2) Microprocessor based : Type SR18 - LSI protection
- 3) Microprocessor based : Type SR18G - LSIG protection
- 4) Microprocessor based : Type SR21i - LSIG protection + Zone Selective Interlocking

For technical details, please refer product catalogue

C-POWER S1 3 & 4 Pole Draw-Out ACBs

Rating	Breaking Capacity I _{cu} =I _{cs} =I _{cw} (1 sec)	Version	Microprocessor Based SR18G		Microprocessor Based SR18G		Thermal-Magnetic DN1		Thermal-Magnetic DN1	
			3 Pole Draw-out		4 Pole Draw-out		3 Pole Draw-out		4 Pole Draw-out	
			Cat. No.	M.R.P. (₹) Per Unit	Cat. No.	M.R.P. (₹) Per Unit	Cat. No.	M.R.P. (₹) Per Unit	Cat. No.	M.R.P. (₹) Per Unit
630A	50kA	MDO	SL96041	114845	SL96061	150380	SL95331	98845	SL95351	134380
		EDO	SL96051	149845	SL96071	185380	SL95341	133845	SL95361	169380
800A	50kA	MDO	SL96042	114845	SL96062	150380	SL95332	98845	SL95352	134380
		EDO	SL96052	149845	SL96072	185380	SL95342	133845	SL95362	169380
1000A	50kA	MDO	SL96043	122055	SL96063	158620	SL95333	106055	SL95353	142620
		EDO	SL96053	157055	SL96073	193620	SL95343	141055	SL95363	177620
1250A	50kA	MDO	SL96044	150895	SL96064	183340	SL95334	134895	SL95354	167340
		EDO	SL96054	185895	SL96074	218340	SL95344	169895	SL95364	202340
1600A	50kA	MDO	SL96045	163770	SL96065	199820	SL95335	147770	SL95355	183820
		EDO	SL96055	198770	SL96075	234820	SL95345	182770	SL95365	218820
2000A	50kA	MDO	SL96046	188490	SL96066	242050	SL95336	172490	SL95356	226050
		EDO	SL96056	223490	SL96076	277050	SL95346	207490	SL95366	261050
2500A	60kA	MDO	SL96047	226600	SL96067	288400	SL95337	210600	SL95357	272400
		EDO	SL96057	261600	SL96077	323400	SL95347	245600	SL95367	307400
3200A	60kA	MDO	SL96048	288400	SL96068	353290	SL95338	272400	SL95358	337290
		EDO	SL96058	323400	SL96078	388290	SL95348	307400	SL95368	372290

Following are the M.R.P. changes for product customization w.r.t. SR18G ACB M.R.P.		M.R.P.(₹) Per Unit
Bus - Coupler (w/o protection)	Reduce	35000
Microprocessor based SR18 (LSI)	Reduce	4000
Microprocessor based SR21i (LSIG + ZSI)	Add	12000

The above M.R.P.s. of **C-POWER S1** ACBs, includes 2NO+2NC Aux contact for MDO & 6NO+6NC Aux contact for EDO breakers, Safety shutter assembly, Racking handle, Racking interlock, Door sealing frame, Push-button cover & Rating Error preventor.

EDO version includes 240V ac Shunt trip coil, Closing coil and Motor for electrical charging.

Note : 1 NO Aux contact in MDO & 2NO+2NC in EDO breakers will be pre-wired with accessories mounted in breaker.
In electrically operated with DN1 release, either earth fault or undervoltage protection can be used

CN-CS...E Range 3 Pole Manual Fixed

with Thermal-Magnetic Release Type DN1				
Rating	Breaking Capacity I _{cu} =I _{cs} =I _{cw} (1 sec)	Version	Cat. No.	M.R.P. (₹) Per Unit
400A	50kA	3P MF	SL932910000	44500
630A	50kA	3P MF	SL932920000	44900
800A	50kA	3P MF	SL932930000	45350
1000A	50kA	3P MF	SL93294000A	48700
1250A	50kA	3P MF	SL932950000	60900
1600A	50kA	3P MF	SL932960000	70400
2000A	50kA	3P MF	SL932970000	80000

AIR CIRCUIT BREAKERS - C-POWER

C-POWER range of Air Circuit Breaker conform to IS/IEC 60947-2 & IEC 60947-2

Rating - 800A to 6300A

Version - 3 Pole / 4 Pole, Manually/Electrically operated Fixed & Draw-out type

Protection Release

1) Thermal-Magnetic	: Type DN1	- LS + option of earth fault protection
2) Microprocessor based	: Type SR18	- LSI protection
3) Microprocessor based	: Type SR18G	- LSIG protection
4) Microprocessor based	: Type SR21i	- LSIG protection + Zone Selective Interlocking
5) Microprocessor based	: Type SR71	- Advance Microcontroller based with option of communication & metering

For technical details, please refer product catalogue

C-POWER 3 & 4 Pole Draw-out ACBs

Rating	Breaking Capacity Icu=Ics =Icw (1 sec)	Version	Microprocessor Based SR18G		Microprocessor Based SR18G		Thermal-Magnetic DN1		Thermal-Magnetic DN1	
			3 Pole Draw-out		4 Pole Draw-out		3 Pole Draw-out		4 Pole Draw-out	
			Cat. No.	M.R.P. (₹) Per Unit	Cat. No.	M.R.P. (₹) Per Unit	Cat. No.	M.R.P. (₹) Per Unit	Cat. No.	M.R.P. (₹) Per Unit
800A	50kA*	MDO	ST35541	139700	ST35561	178200	SL93061	123700	ST25031	162200
		EDO	ST35551	174700	ST35571	213200	#	#	#	#
1000A	50kA*	MDO	ST35542	149600	ST35562	189200	SL93062	133600	ST25032	173200
		EDO	ST35552	184600	ST35572	224200	#	#	#	#
1250A	50kA*	MDO	ST35543	177100	ST35563	211200	SL93063	161100	ST25033	195200
		EDO	ST35553	212100	ST35573	246200	#	#	#	#
1600A	50kA*	MDO	ST35544	183700	ST35564	231000	ST30414	167700	ST25034	215000
		EDO	ST35554	218700	ST35574	266000	#	#	#	#
2000A	55kA*	MDO	ST35545	218360	ST35565	278200	SL93065	202360	ST25035	262200
		EDO	ST35555	253360	ST35575	313200	#	#	#	#
2500A	60kA*	MDO	ST35546	254400	ST35566	325280	SL93066	238400	ST25036	309280
		EDO	ST35556	289400	ST35576	360280	#	#	#	#
3200A	75kA*	MDO (H0)	ST35547	328600	ST35567	412560	SL93459	312600	SL93479	396560
		EDO (H0)	ST35557	363600	ST35577	447560	#	#	#	#
4000A	75kA*	MDO (H0)	ST35548	397500	ST35568	496800	SL93460	381500	SL93480	480800
		EDO (H0)	ST35558	432500	ST35578	531800	#	#	#	#
5000A	95kA	MDO/EDO	#	#	#	#	#	#	#	
6300A	95kA	MDO/EDO	#	#	#	#	#	#	#	

* For higher breaking capacity breakers please contact your nearest branch office

C-POWER 3 Pole Manual Fixed^{##} ACBs (4 Pole Manual Fixed^{##} ACBs on request)

Rating	Breaking Capacity Icu=Ics =Icw (1 sec)	Version	Microprocessor Based SR18G		Thermal-Magnetic DN1		Following are the M.R.P. changes for product customization w.r.t. SR18G M.R.P.		M.R.P.(₹) Per Unit
			3 Pole		3 Pole				
			Cat. No.	M.R.P. (₹) Per Unit	Cat. No.	M.R.P. (₹) Per Unit			
800A	50kA*	MF	SL97631	82500	SL93001	66500	Bus-Coupler (w/o protection)	Reduce	35000
1000A	50kA*	MF	SL97632	86000	SL93002	70000	Microprocessor based SR18 (LSI)	Reduce	4000
1250A	50kA*	MF	SL97633	111000	SL93003	95000	Microprocessor based SR21i (LSIG + ZSI)	Add	12000
1600A	50kA*	MF	SL97634	114000	SL93004	98000	Microprocessor based SR71 (LSIGN + Advance protection)	Add	On Request
2000A	55kA*	MF	SL97635	124000	SL93005	108000	Communication Module for SR71 release	SL94698	
2500A	60kA*	MF	SL97636	142000	SL93006	126000	Metering Module for SR71 release	SL94699	
3200A	70kA	MF	#	#	#	#			
4000A	70kA	MF	#	#	#	#			

* For higher breaking capacity breakers please contact your nearest branch office

For Draw-Out ACB - The above M.R.P.s. , includes 6NO+6NC Aux contact, Safety shutter assembly, Racking handle, Racking interlock, Door sealing frame, Push-button cover & Rating Error preventor.
 For Fixed ACB - The above M.R.P.s. , includes 6NO+6NC Aux contact, Door sealing frame & Push-button cover. EDO version includes 240V ac Shunt trip coil, Closing coil and Motor for electrical charging.
 Note : 1 NO Aux contact in manual version & 2NO+2NC in electrical version breakers will be pre-wired with accessories mounted in breaker. In electrically operated with DN1 release, either earth fault or undervoltage protection can be used

Available on "Made to order " basis

Electrical Fixed type breaker available on "Made to order" basis.

Accessories (Common for C-POWER Family)

Description	Cat. No.	M.R.P. (₹) Per Unit
AN1 Remote Annunciation Module for SR18G/SR21i	SL946540000	4350
6 way Secondary isolating contact	SL927010000	1600
Microswitch for voltmetric releases (2) each	SL927030000	1750
Microswitch for common indication of O/L & S/C (3) each	SL927040000	1750
Microswitch for separate indication of O/L & S/C (3) each	SL927050000	3000
Service position microswitch - Right (2)	SL931420000	1200
Service position microswitch - Left (2)	SL931430000	1200
Test or isolated position microswitch - Right (2)	SL931440000	1200
Test or isolated position microswitch - Left (2)	SL931450000	1200
Lockable Trip Push Button (LTPB)		
Type AA	SL93148000A	2200
Type BB	SL93148000B	2200
Type CC	SL93148000C	2200
Type DD	SL93148000D	2200
Locking of ACB in Isolated position (LIP)		
Type AA	SL93146000A	2200
Type BB	SL93146000B	2200
Type CC	SL93146000C	2200
Type DD	SL93146000D	2200
Locking of ACB in Any position (LAP)		
Type A	SL93147000A	2200
Type B	SL93147000B	2200
Type C	SL93147000C	2200
Type D	SL93147000D	2200
Racking Preventor		
Type A	SL93149000A	4000
Type B	SL93149000B	4000
Type C	SL93149000C	4000
Type D	SL93149000D	4000
Door Interlock		
Lockable Trip Push Button kit L, M, N, LM, MN	SL919360000	11000
Lockable Trip Push Button kit (A to Z)	ST288950000	57000
Lockable Trip Push Button kit (A to P)	ST287300000	35000

Description	Cat. No.	M.R.P. (₹) Per Unit
Shunt Release		
Type EA : 24/48V DC	SL927180400	2200
Type EA : 110V DC	SL927180100	2200
Type EA : 220V DC	SL927180200	2200
Type EA1 : 110V DC	SL927180A00	2200
Type EA1 : 240V AC	SL927180B00	2200
Type EA1 : 415V AC	SL927180D00	2000
Under Voltage Release		
Type MV : 240V AC	SL92720B000	3200
Type MV : 415V AC	SL92720D000	3200
Earth Fault Release (for DN1)		
Type EF1 (10%, 20% Ir)	SL913400000	2200
Type EF2 (30%, 40%, 50% Ir)	SL913410000	2200
Motor for 630A to 6300A		
110V DC	SL003460000	15800
220V DC	SL003470000	15800
110V AC	SL001240000	15800
240V AC	SL003150000	15800
Protection Releases		
Microprocessor based Type SR71	Available on Request	
Microprocessor based Type SR21i	SL939600000	38000
Microprocessor based Type SR18G	SL939590000	26000
Microprocessor based Type SR18	SL939580000	22000
Thermal-Magnetic Release Type DN1	SL931520000	10000

Note :

- The Numerical in brackets, against various accessories indicate the SICs required for wiring purpose in Draw-Out breakers
- Shunt release requires one set of auxiliary contacts
- Maximum 24 SICs can be fitted on an ACB. In Electrical ACBs 5 SICs are prewired for control circuit purpose

AIR CIRCUIT BREAKERS - C-POWER

Spares

Description	Qty.	Cat. No.	M.R.P. (₹) Per Unit
Auxiliary Contact Block - 800-2500C, 3200 & 4000 H0			
2 NO + 2 NC	1	SL92765	1650
6 NO + 6 NC	1	SL92767	2700

Safety Shutter Assembly			
For 800-1600 C & 630-2000 S1		SL91833	900
For 2000 C & 2500 C / S1 & 3200 S1		SL92811	1050
For 3200 H0 / 4000 H0 #		SL91833	900

2 pole in each phase

Description	Cat. No.	Qty. per Kit	M.R.P. (₹) Per Kit	No. of Kits for 3 pole ACB
Arcing contacts - Fixed				
For 630 to 1250A S1	SL93890	3	2500	1 kit
For 800 to 1600A C & 1600A S1	SL93891	3	2500	1 kit
For 2000A S1	SL93040	3	3450	1 kit
For 2000A C & 2500A S1	SL90631	1	350	12 kits
For 2500A C & 3200A S1	SL90631	1	350	15 kits
For 3200/4000A H0	SL93040	3	3450	2 kits
Arcing contacts - Moving				
For 800 to 1600A C/S1 & 2000A S1	SL93892	9	2500	1 kit
For 2000 & 2500A C	SL90629	1	350	12 kits
For 3200/4000 H0 & 2500/3200A S1	SL93892	9	2500	3 kits

Current Transformers (CTs)

Description		For SR18 / SR18G / SR21i		DN1 / SR15G	
		Cat. No.	M.R.P. (₹) Per Unit	Cat. No.	M.R.P. (₹) Per Unit
630 S1	For Drawout Type	ST37495	3100	SL00374	3100
800 S1	For Drawout Type	SL90561	3100	SL90593	3100
800 C	For Fixed Type with 400/500A taps	-	-	SL00933	3100
	For Drawout Type with 400/500A taps	-	-	SL00986	3100
800 C	For Fixed Type with 640/800A taps	-	-	SL00934	3100
	For Drawout Type	-	-	SL90593	3100
800 C	For Fixed Type	SL90569	3100	-	-
	For Drawout Type	SL90561	3100	-	-
1000 S1	For Drawout Type	SL90562	3100	SL90608	3100
1000 C	For Fixed Type	SL90570	3100	SL90608	3100
	For Drawout Type	SL90562	3100	SL90608	3100
1250 S1	For Drawout Type	SL90571	3800	SL00789	3800
1250 C	For Fixed & Drawout Type	SL90571	3800	SL00789	3800
1600 S1	For Drawout Type	SL90572	3800	SL00790	3800
1600 C	For Fixed & Drawout Type	SL90572	3800	SL00790	3800
2000 S1	For Drawout Type	SL93210	4100	SL00993	4100
2000 C	For Fixed & Drawout Type	SL90565	4100	-	-
2000 C	For Fixed Type with 1000/1250A tap	-	-	SL00791	4100
	For Drawout Type with 1000/1250A tap	-	-	SL00791	4100
2000 C	For Fixed / Drawout Type with 1600/2000A tap	-	-	SL00792	4100
2500 S1	For Drawout Type	SL90566	4100	SL00793	4100
2500 C	For Fixed & Drawout Type	SL90566	4100	SL00793	4100
3200 S1	For Drawout Type	SL90575	5000	SL00794	5000
3200 H0	For Fixed & Drawout Type	SL01740	5000	SL01707	5000
4000 H0	For Fixed & Drawout Type	SL01739	5600	SL01706	5600
5000 C	For Drawout Type	SL00990	7500	SL01985	7500
6300 C	For Drawout Type	SL00991	8800	SL01986	8800

Note : For CTs of SR71 release, please contact our branch office

Description	Cat. No.	M.R.P. (₹) Per Unit
Arc Chute (For 415V)		
For 800 to 1600 C & 630 to 2000 S1	SL90855	2800
For 2000 C & 2500 C/S1	SL90857	3300
For 3200 S1	SL91834	3600
For 3200 H0 / 4000 H0 #	SL90855	2800

2 Pole in each phase

Note: Special Arc Chutes available for 690V AC application.



AIR CIRCUIT BREAKERS - U-POWER

OMEGA

U-POWER system of Air Circuit Breakers conform to IS/IEC 60947-2 & IEC 60947-2, EN 60947 and GB 14048.2

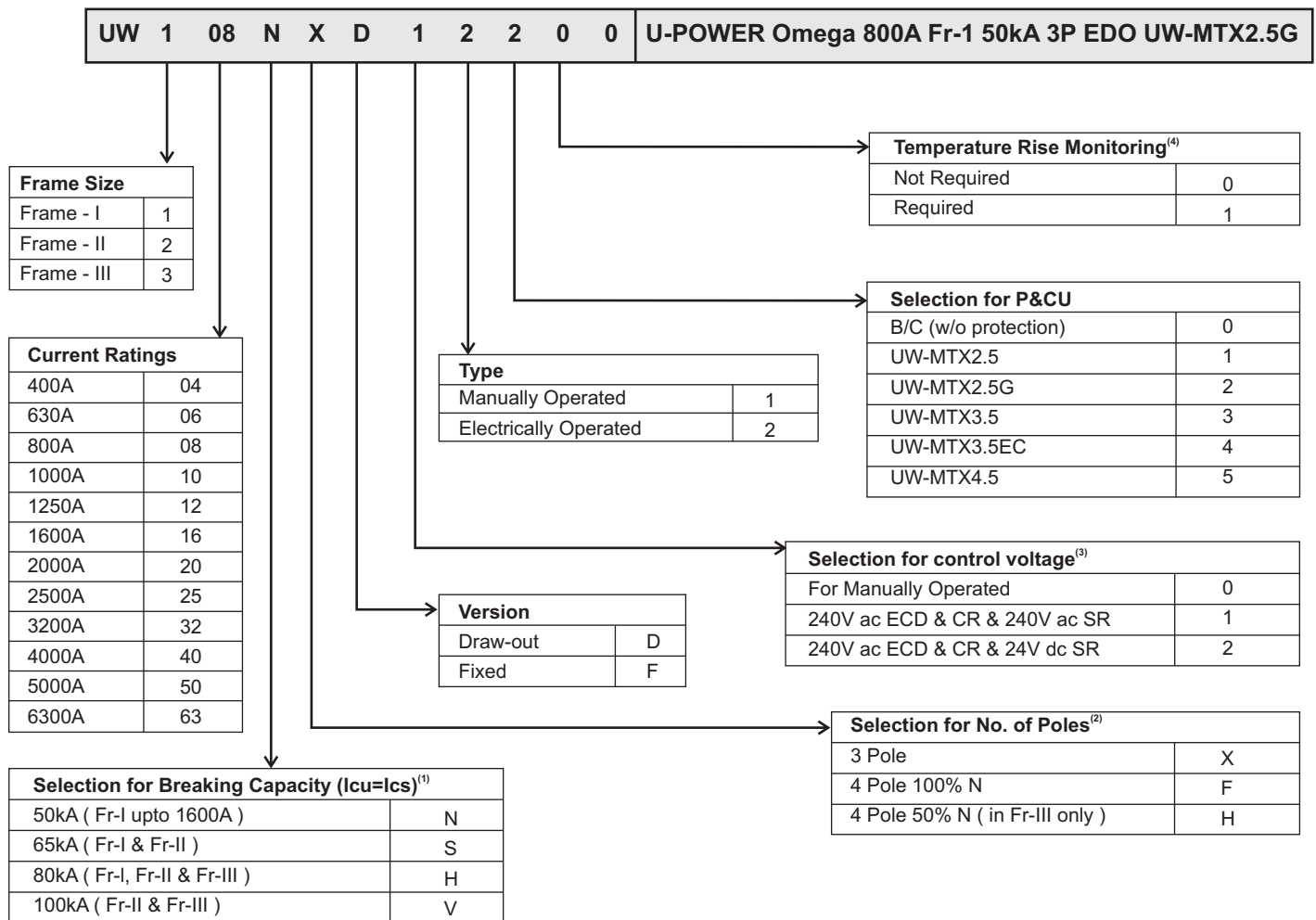
Rating - 800A to 6300A in three frame sizes

Versions - 3 Pole / 4 Pole, Manually / Electrically operated, Fixed / Draw-out

Protection Release - Micro controller based Protection & Control Unit with wide range of feature variants.

- 1) UW-MTX2.5 - LSI with current metering
- 2) UW-MTX2.5G - LSING with current metering
- 3) UW-MTX3.5 - LSING with Current Metering - can be upgraded for power metering & communication function
- 4) UW-MTX3.5EC - LSING with inbuilt Power metering & Communication
- 5) UW-MTX4.5 - LSING + Power metering + Communication with Touch Screen navigation

U-POWER Omega ACB ordering information :



Please Note :

- (1) For I_{cu} values please refer product catalogue
- (2) 4 Pole ACB with 200% Neutral is available on request
- (3) Other options of control voltage are available as accessory
- (4) Temperature-rise protection module is available in UW-MTX3.5/3.5EC/4.5 and offered as factory fitted assembly.

U-POWER Omega ACBs are offered with following standard accessories:

- Draw-out version** : U-POWER Omega ACB with UW-MTX release will have - Current Metering, inbuilt Electrical (#) & Mechanical anti-pumping, 4NO+4NC Aux. contacts, Safety shutter assembly, Racking handle, Racking interlock, Door sealing frame, Push button cover, Rating-error preventor, Electrical Position Indicator, Arc shield (as inbuilt with frame 1N / 2S / 3H) & terminal adapter at lower terminals.
- Fixed version** : U-POWER Omega ACB with UW-MTX release will have - Current Metering, inbuilt Electrical (#) & Mechanical anti-pumping, 4NO+4NC Aux. contacts, door sealing frame & Push button cover as inbuilt.
- Electrically operated ACB includes electrical charging device, closing release & shunt release.
- (#) - In Electrically operated Fixed / Draw-out versions.

AIR CIRCUIT BREAKERS - U-POWER

OMEGA

U-POWER OMEGA 3 Pole ACBs with UW-MTX 2.5G

Current Rating	Version	3 Pole Draw-out with UW-MTX2.5G							
		N (50kA)		S (65kA)		H (80kA)		V (100kA)	
		Cat. No.	M.R.P. (₹) Per Unit	Cat. No.	M.R.P. (₹) Per Unit	Cat. No.	M.R.P. (₹) Per Unit	Cat. No.	M.R.P. (₹) Per Unit
800A	MDO	UW108NXD01200	140900	UW108SXD01200	159450	UW208HXD01200	268800	*	*
	EDO	UW108NXD12200	175900	UW108SXD12200	194450	UW208HXD12200	303800	*	*
1000A	MDO	UW110NXD01200	151400	UW110SXD01200	171400	UW210HXD01200	268800	*	*
	EDO	UW110NXD12200	186400	UW110SXD12200	206400	UW210HXD12200	303800	*	*
1250A	MDO	UW112NXD01200	166350	UW112SXD01200	185300	UW212HXD01200	268800	*	*
	EDO	UW112NXD12200	201350	UW112SXD12200	220300	UW212HXD12200	303800	*	*
1600A	MDO	UW116NXD01200	181750	UW116SXD01200	202550	UW216HXD01200	268800	*	*
	EDO	UW116NXD12200	216750	UW116SXD12200	237550	UW216HXD12200	303800	*	*
2000A	MDO	-	-	UW120SXD01200	230400	UW220HXD01200	268800	*	*
	EDO	-	-	UW120SXD12200	265400	UW220HXD12200	303800	*	*
2500A	MDO	-	-	UW225SXD01200	301200	UW225HXD01200	316250	*	*
	EDO	-	-	UW225SXD12200	336200	UW225HXD12200	351250	*	*
3200A	MDO	-	-	UW232SXD01200	336000	UW232HXD01200	352800	*	*
	EDO	-	-	UW232SXD12200	371000	UW232HXD12200	387800	*	*
4000A	MDO	-	-	-	-	UW340HXD01200	433200	*	*
	EDO	-	-	-	-	UW340HXD12200	468200	*	*
5000A	MDO	-	-	-	-	*	*	*	*
	EDO	-	-	-	-	*	*	*	*
6300A	MDO	-	-	-	-	*	*	*	*
	EDO	-	-	-	-	*	*	*	*

Current Rating	Version	3 Pole Manual Fixed with UW-MTX2.5G							
		N (50kA)		S (65kA)		H (80kA)		V (100kA)	
		Cat. No.	M.R.P. (₹) Per Unit	Cat. No.	M.R.P. (₹) Per Unit	Cat. No.	M.R.P. (₹) Per Unit	Cat. No.	M.R.P. (₹) Per Unit
800A	MF	UW108NXF01200	93750	UW108SXF01200	105750	*	*	*	*
1000A	MF	UW110NXF01200	97500	UW110SXF01200	109500	*	*	*	*
1250A	MF	UW112NXF01200	111750	UW112SXF01200	127500	*	*	*	*
1600A	MF	UW116NXF01200	121500	UW116SXF01200	140250	*	*	*	*
2000A	MF	-	-	UW120SXF01200	150000	*	*	*	*
2500A	MF	-	-	UW125SXF01200	172500	*	*	*	*
3200A	MF	-	-	UW232SXF01200	225000	*	*	*	*
4000A	MF	-	-	-	-	*	*	*	*
5000A	MF	-	-	-	-	*	*	*	*
6300A	MF	-	-	-	-	*	*	*	*

Note : For prices of Electrical Fixed versions add ₹ 35000 to the above MRPs (includes Electrical Charging device, Closing Release & Shunt Release)

Following are the M.R.P. changes for product customization		
Protection & Control Unit change		M.R.P. (₹) Per Unit
Buscoupler (without protection release)	Reduce	28000
UW-MTX2.5 (LSI + Current Metering)	Reduce	6000
UW-MTX3.5 (LSING + Current Metering) - can be upgraded for Power Metering & Communication	Add	5000
UW-MTX3.5 EC (LSING + Power Metering + Communication)	Add	30000
UW-MTX4.5 (LSING + Power Metering + Communication with Touch Screen navigation)	Add	*
UW-PS, Auxiliary power supply module for display in NO-load or OFF condition	CL90722	10000
Com module (MODBUS) for communication	CL90709	*
PM module for power metering	CL90704	*

* Available on request

AIR CIRCUIT BREAKERS - U-POWER

OMEGA

U-POWER OMEGA 4 Pole with UW-MTX 2.5G

Current Rating	Version	4 Pole Draw-out with UW-MTX2.5G							
		N (50kA)		S (65kA)		H (80kA)		V (100kA)	
		Cat. No.	M.R.P. (₹) Per Unit	Cat. No.	M.R.P. (₹) Per Unit	Cat. No.	M.R.P. (₹) Per Unit	Cat. No.	M.R.P. (₹) Per Unit
800A	MDO	UW108NFD01200	177600	UW108SFD01200	200900	UW208HFD01200	337750	*	*
	EDO	UW108NFD12200	212600	UW108SFD12200	235900	UW208HFD12200	372750	*	*
1000A	MDO	UW110NFD01200	188850	UW110SFD01200	213750	UW210HFD01200	337750	*	*
	EDO	UW110NFD12200	223850	UW110SFD12200	248750	UW210HFD12200	372750	*	*
1250A	MDO	UW112NFD01200	208200	UW112SFD01200	231850	UW212HFD01200	337750	*	*
	EDO	UW112NFD12200	243200	UW112SFD12200	266850	UW212HFD12200	372750	*	*
1600A	MDO	UW116NFD01200	230450	UW116SFD01200	256750	UW216HFD01200	337750	*	*
	EDO	UW116NFD12200	265450	UW116SFD12200	291750	UW216HFD12200	372750	*	*
2000A	MDO	-	-	UW120SFD01200	288700	UW220HFD01200	337750	*	*
	EDO	-	-	UW120SFD12200	323700	UW220HFD12200	372750	*	*
2500A	MDO	-	-	UW225SFD01200	378450	UW225HFD01200	397350	*	*
	EDO	-	-	UW225SFD12200	413450	UW225HFD12200	432350	*	*
3200A	MDO	-	-	UW232SFD01200	436250	UW232HFD01200	458050	*	*
	EDO	-	-	UW232SFD12200	471250	UW232HFD12200	493050	*	*
4000A	MDO	-	-	-	-	UW340HFD01200	546700	*	*
	EDO	-	-	-	-	UW340HFD12200	581700	*	*
5000A	MDO	-	-	-	-	*	*	*	*
	EDO	-	-	-	-	*	*	*	*
6300A	MDO	-	-	-	-	*	*	*	*
	EDO	-	-	-	-	*	*	*	*

Current Rating	Version	4 Pole Manual Fixed with UW-MTX2.5G							
		N (50kA)		S (65kA)		H (80kA)		V (100kA)	
		Cat. No.	M.R.P. (₹) Per Unit	Cat. No.	M.R.P. (₹) Per Unit	Cat. No.	M.R.P. (₹) Per Unit	Cat. No.	M.R.P. (₹) Per Unit
800A	MF	UW108NFF01200	117750	UW108SFF01200	132000	*	*	*	*
1000A	MF	UW110NFF01200	122250	UW110SFF01200	137250	*	*	*	*
1250A	MF	UW112NFF01200	138750	UW112SFF01200	157500	*	*	*	*
1600A	MF	UW116NFF01200	152250	UW116SFF01200	172500	*	*	*	*
2000A	MF	-	-	UW120SFF01200	187500	*	*	*	*
2500A	MF	-	-	UW125SFF01200	217500	*	*	*	*
3200A	MF	-	-	UW232SFF01200	281250	*	*	*	*
4000A	MF	-	-	-	-	*	*	*	*
5000A	MF	-	-	-	-	*	*	*	*
6300A	MF	-	-	-	-	*	*	*	*

Note : For prices of Electrical Fixed versions add Rs. 35000 to the above MRPs (includes Electrical Charging device, Closing Release & Shunt Release)

Following are the M.R.P. changes for product customization		
Protection & Control Unit change		M.R.P. (₹) Per Unit
Buscoupler (without protection release)	Reduce	28000
UW-MTX2.5 (LSI + Current Metering)	Reduce	6000
UW-MTX3.5 (LSING + Current Metering) - can be upgraded for Power Metering & Communication	Add	5000
UW-MTX3.5 EC (LSING + Power Metering + Communication)	Add	30000
UW-MTX4.5 (LSING + Power Metering + Communication with Touch Screen navigation)	Add	*
UW-PS, Auxiliary power supply module for display at NO-load or OFF condition	CL90722	10000
Com module (MODBUS) for communication	CL90709	*
PM module for power metering	CL90704	*

* Available on request

AIR CIRCUIT BREAKERS - U-POWER

OMEGA

Accessories (Common for U-POWER family)

Description	Cat. No.	M.R.P. (₹) Per Unit
Microswitch for Common fault indication (CFI)	CL90949	2000
Microswitch for Ready to close indication (RTC)	CL90953	2000
Microswitch for Shunt release	CL90951	2000
Microswitch for Undervoltage release	CL90947	2000
Electrical Position indication (EPI)	CL90984	1600
Operation Counter	CL90983	1600
Door Interlock	CL90978	2200
Auxiliary contact (4 NO + 4 NC)	CL90955	5000
Spring Charging Indication	ST42672	1800

Mechanical Interlock using Key & Lock			
For R-Lock type	R - Locks Type - 1	CL00659	1000
	R - Locks Type - 2	CL00660	1000
	R - Locks Type - 3	CL00661	1000
	R - Locks Type - 12	CL00662	1000
	R - Locks Type - 23	CL00663	
	Locking arrangement for OFF button with R - Lock (on breaker)	CL90815	1500
	Locking arrangement for Iso. position with R - Lock (on Cradle)	CL90865	1300
	Locking arrangement for all position with R - Lock (on Cradle)	CL90927	1100
For C-Lock type	C - Lock Type - S	CL00664	1750
	C - Lock Type - T	CL00665	1750
	C - Lock Type - ST	CL00666	1750
	C - Lock Type - SS	CL00667	1750
	C - Lock Type - TT	CL00668	1750
	Locking arrangement for OFF button with C - Lock (on breaker)	CL90814	1500
	Locking arrangement for Iso. position for C - Lock (on Cradle)	CL90982	1300
	Locking arrangement for all position with C - Lock (on Cradle)	CL90981	1100

Note : To be ordered as combination of Lock and Locking arrangement

For U-POWER Omega

External Neutral CT for UW-MTX 2.5G / 3.5 / 3.5EC / 4.5		
For 400 / 630 / 800A; Fr-1, 2 & 3	CL00717	5600
For 1000 / 1250 / 1600A; Fr-1, 2 & 3	CL00718	6000
For 2000 / 2500A; Fr-1	CL00719	8700
For 2000 / 2500 / 3200A; Fr-2 & 3	CL00720	13000
For 4000A; Fr-3	CL00720	13000
Terminal Adaptor for Draw-out ACB (Unit Quantity)		
For 400A to 2000A; Fr-1 (Vert. / Hori.)	CL60963	2800
For 2500A; Fr-1 (Vert.)	CL60964	5000
For 2000A to 3200A; Fr-2 (Vert. / Hori.)	CL60964	5000
For 3200 & 4000A; Fr-3 (Vert. / Hori.)	CL90693	2800

Auto Source Transfer Controller

Type	Cat. No.	M.R.P. (₹) Per Unit	Std. Pkg. (Nos.)
AuXC-1000	ST802300000	55285	1

Can be used along with dsine MCCBs, U-POWER ACBs and MCX contactors

Description	Cat. No.	M.R.P. (₹) Per Unit
Electrical Charging Device (ECD)		
110V AC / 110-125V DC	CL903600000	30000
220V AC / 200V DC	CL903640000	30000
240V AC / 250V DC	CL903590000	30000
415V AC / 400V DC	CL909610000	30000
24 - 30V DC	CL903620000	30000
Closing Release (CR)		
110V AC & DC	CL90817A000	3500
240V AC / 220 - 250V DC	CL90817B000	3500
415V AC	CL90817D000	3500
24 - 30V DC	CL908174000	3500
Shunt Release (SR)		
110V AC / 110V DC	CL908160A00	3500
240V AC / 220 - 250V DC	CL908160B00	3500
415V AC	CL908160D00	3500
24 - 30V DC	CL908160400	3500
Under Voltage Release (UVR) with time delay (0-1-3-5 sec)		
110V AC	CL90818A000	7000
240V AC	CL90818B000	7000
415V AC	CL90818D000	7000
24 - 30V DC	CL908184000	7000

Note : Common from 400A to 6300A

Mechanical Interlock using Bowden Cable (3 meters length)		
Between 2 Incomers	CL90659	9000
Between 3 Incomers	CL90660	13500
Between 2 Incomers & 1 Standby	CL90661	13500
Between 2 Incomers & 1 Buscoupler	CL90662	13500
Mechanical Interlock using Bowden Cable (2 meters length)		
Between 2 Incomers	CL90810	8000
Between 3 Incomers	CL90811	12000
Between 2 Incomers & 1 Standby	CL90812	12000
Between 2 Incomers & 1 Buscoupler	CL90813	12000

Note : Common from 400A to 6300A, can be interlocked between Fixed / Draw-out / Mixed version



POWERMAN		
System for :		
<ul style="list-style-type: none"> • Complete monitoring of Power & Energy Parameters • Breaker Control 		
For details contact our branch office		
Cat. No.	Description	M.R.P. (₹) Per Unit
BPV3040RS	Powerman for 04 RS485 Meters/ACB/MCCB	33700
BPV3080RS	Powerman for 08 RS485 Meters/ACB/MCCB	54500
BPV3120RS	Powerman for 12 RS485 Meters/ACB/MCCB	69900
BPV3160RS	Powerman for 16 RS485 Meters/ACB/MCCB	89500
BPV304ARH	Add on Powerman for 04 RS485 Meters/ACB/MCCB	15000
BPV308ARH	Add on Powerman for 08 RS485 Meters/ACB/MCCB	29900
BPV312ARH	Add on Powerman for 12 RS485 Meters/ACB/MCCB	44840
BPV316ARH	Add on Powerman for 16 RS485 Meters/ACB/MCCB	59780

MOULDED CASE CIRCUIT BREAKERS

- Conforming to IS/IEC 60947-2 & IEC 60947-2
- Comprehensive range from 0.63A to 1600A
- 1, 2, 3 & 4 pole versions
- Breaking capacities upto 100kA
- Manual, Electrical operation
- Fixed, Plug-in & Withdrawable versions
- Protection units :
 - Thermal Magnetic
 - Microprocessor based
 - Microprocessor based with communication & metering
- Comprehensive range of internal & external accessories

- Use of phase barriers is mandatory. These are supplied along with MCCBs
 - It is recommended to use spreader terminals for enhancing termination capacity
 - Spreader terminals are available as spares, unless otherwise specified against Cat. Nos.
 - Any 2 internal accessories can be fitted
- Special Applications**
- For special applications like capacitor switching & DC etc. please contact nearest branch office
 - **For Motor backup protection, use 'M' series of MCCBs such as DM, DN2M, DN3M**
 - Please Contact nearest branch office for availability of Plug-in, Draw-out & higher breaking capacity MCCBs

DU100H MCCB

Type	Thermal Release Range (A)	Breaking Capacity Icu at 415V. AC 50Hz. (kA)	3 Pole		4 Pole		Std. Pkg. (Nos.)
			Cat. No.	M.R.P. (₹) Per Unit	Cat. No.	M.R.P. (₹) Per Unit	
DU100H	16-20	30	CM97894OOC2	3500	CM97933OOC2	4640	1
	20-25	30	CM97894OOD2	3500	CM97933OOD2	4640	1
	25-32	30	CM97894OOE2	3500	CM97933OOE2	4640	1
	32-40	30	CM97894OOF2	3500	CM97933OOF2	4640	1
	40-50	30	CM97894OOG2	3500	CM97933OOG2	4640	1
	50-63	30	CM97894OOH2	3500	CM97933OOH2	4640	1
	63-80	30	CM97894OOJ2	3530	CM97933OOJ2	4680	1
	80-100	30	CM97894OOK2	3560	CM97933OOK2	4730	1

DU250 MCCB

Type	Thermal Release Range (A)	Breaking Capacity Icu at 415V. AC, 50Hz. (kA)	3 Pole	
			Cat. No.	M.R.P. (₹) Per Unit
DU250	80-100	36	CM98064O000	4890
	100-125	36	CM98063O000	5720
	125-160	36	CM98062O000	6830
	160-200	36	CM98061O000	9020
	200-250	36	CM98060O000	10500

Accessories for DU100H & DU250 MCCB

Description (for DU100H/DU250)	Internal			Description	External		
	Cat. No.	M.R.P. (₹) Per Unit	Std. Pkg. (Nos.)		Cat. No.	M.R.P. (₹) Per Unit	Std. Pkg. (Nos.)
Aux. Contact 1 C/O - Right	CM97886O000	590	1	DU100H Spreader Terminals - 3 Pole	CM97785O000	150	Set of 6
Aux. Contact 2 C/O - Right	CM97887O000	1030	1	DU100H Spreader Terminals - 4 Pole	CM97921O000	260	Set of 8
Trip Alarm Contact 1 C/O - Right	CM97888O000	580	1	DU100H ROM - Direct	CM97895O000	800	1
Trip Alarm Contact 2 C/O - Right	CM97889O000	1030	1	DU100H ROM - Extended	CM97896O000	1260	1
Aux. 1 C/O + TAC 1 C/O - Right	CM97890O000	1030	1	DU250 Spreader Terminals - 3 Pole	ST98053O000	890	Set of 6
Shunt Release 415/240V AC - Left	CM97883OMOO	840	1	DU250 ROM - Direct	CM98040O000	860	1
Under Voltage Release 240V AC - Left	CM97892BOOO	1080	1	DU250 ROM - Extended	CM98041O000	1290	1

MOULDED CASE CIRCUIT BREAKERS

D-Pan assembly D1 with DU100 & DU100H MCCBs as outgoing (only 3 Pole)

Description I/C - dsine O/G - DU 100	Cat. No.	M.R.P. (₹) Per Unit	Std. Pkg. (Nos.)	Description I/C - dsine O/G - DU 100H	Cat. No.	M.R.P. (₹) Per Unit	Std. Pkg. (Nos.)
D-Pan I/C 250A O/G 4 Way-DU100	CM978210000	10500	1	D-Pan I/C 250A O/G 4 Way-DU100H	CM979120000	10500	1
D-Pan I/C 250A O/G 8 Way-DU100	CM978220000	14700	1	D-Pan I/C 250A O/G 8 Way-DU100H	CM979130000	14700	1
D-Pan I/C 250A O/G 12 Way-DU100	CM978230000	19010	1	D-Pan I/C 250A O/G 12 Way-DU100H	CM979140000	19010	1
D-Pan I/C 400A O/G 4 Way-DU100	CM986050000	12290	1	D-Pan I/C 400A O/G 4 Way-DU100H	CM979150000	12290	1
D-Pan I/C 400A O/G 8 Way-DU100	CM986060000	16490	1	D-Pan I/C 400A O/G 8 Way-DU100H	CM979160000	16490	1
D-Pan I/C 400A O/G 12 Way-DU100	CM986070000	20790	1	D-Pan I/C 400A O/G 12 Way-DU100H	CM979170000	20790	1

DU 125 / 160 / 200 MCCB

Type	Thermal Release Range (A)	Breaking Capacity Icu at 415V. AC, 50Hz. (kA)	3 Pole		4 Pole		Std. Pkg. (Nos.)
			Cat. No.	M.R.P. (₹) Per Unit	Cat. No.	M.R.P. (₹) Per Unit	
DU125	25-32	30	CM989000000	4020	CM981040000	5180	1
	32-40	30	CM989010000	4020	CM981050000	5180	1
	40-50	30	CM989020000	4020	CM981060000	5180	1
	50-63	30	CM989030000	4020	CM981070000	5180	1
	63-80	30	CM989040000	4060	CM981080000	5230	1
	80-100	30	CM989050000	4370▲	CM981090000	5620▲	1
	100-125	30	CM977910000	6020▲	CM981100000	7790▲	1
DU160	125-160	30	CM977920000	7620▲	CM981110000	9080▲	1
DU200	160-200	30	CM977930000	9640▲			

▲ - Spreader Terminals are included.

Accessories for DU125 / 160 / 200 MCCB

Description (for DU125 / 160 / 200)	Internal		Std. Pkg. (Nos.)	Description	External		Std. Pkg. (Nos.)
	Cat. No.	M.R.P. (₹) Per Unit			Cat. No.	M.R.P. (₹) Per Unit	
Aux. Contact - Right	SL972960000	770	1	DU125 / 160 / 200 Spreader Terminals - 3 Pole	ST980470000	320	Set of 6
Aux. Contact - Left	SL972970000	770	1	DU125 / 160 / 200 Spreader Terminals - 4 Pole	ST980600000	420	Set of 8
Trip Alarm Contact - Right	SL972980000	800	1	DU125 / 160 / 200 S S Enclosure	ST299670000	1320	1
Shunt Release - 110 - 415V AC - Left	SL972990000	870	1	DU125 / 160 / 200 ROM - Extended - 3 & 4 Pole - New look	CM991030000	1150	1
Under Voltage Release - 240V AC - Left	SL976110000	1170	1				

DU100 MCCB

Type	Thermal Release Range (A)	Breaking Capacity Icu at 415V. AC, 50Hz. (kA)	3 Pole		Std. Pkg. (Nos.)
			Cat. No.	M.R.P. (₹) Per Unit	
DU100	16	10	CM977510000	1750	1
	20	10	CM977520000	1750	1
	25	10	CM977530000	1750	1
	32	10	CM977540000	1750	1
	40	10	CM977550000	1750	1
	50	10	CM977560000	1750	1
	63	10	CM977570000	1750	1
	80	10	CM989210000	1900▲	1
100	10	CM989220000	1900▲	1	

▲ - Spreader Terminals are included.

Accessories for DU100 MCCB

Description	Internal			Description	External		
	Cat. No.	M.R.P. (₹) Per Unit	Std. Pkg. (Nos.)		Cat. No.	M.R.P. (₹) Per Unit	Std. Pkg. (Nos.)
Aux. Contact - Right	CM977810000	380	1	DU100 Spreader Terminals - 3 Pole	CM977850000	150	Set of 6
Aux. Contact - Left	CM977820000	380	1	DU100 S S Enclosure	ST980500000	590	1
Shunt Release - 240 - 415V AC - Left	CM977830000	440	1	DU100 ROM - Direct	SL970440000	710	1



MOULDED CASE CIRCUIT BREAKERS

- MCCBs come in a grey color scheme & have new type designations.

Breaking Capacity	Old type designation	New type designation
36kA	S	D
50kA	H	N
70kA	L	S

with Thermal - Magnetic Releases:

Thermal - Magnetic Release (Thermal setting = 80-100% In & Magnetic setting = 6-10 In), Icu = Ics = 100%											
3 Pole						4 Pole					
Type	Thermal Release Range (A)	Breaking Capacity Icu at 415V, AC, 50Hz. (kA)	Cat. No.	M.R.P. (₹) Per Unit	Std. Pkg. (Nos.)	Type	Thermal Release Range (A)	Breaking Capacity Icu at 415V, AC, 50Hz. (kA)	Cat. No.	M.R.P. (₹) Per Unit	Std. Pkg. (Nos.)
DN2-250D	100-125	36	CM92008OOL1OG	8650	1	DN2-250D	100-125	36	CM92108OOL1OG	10770	1
	125-160	36	CM92008OOM1OG	10510	1		125-160	36	CM92108OOM1OG	12840	1
	160-200	36	CM92009OON1OG	14710	1		160-200	36	CM92109OON1OG	17730	1
	200-250	36	CM92009OOP1OG	17150	1		200-250	36	CM92109OOP1OG	20530	1
DN3-400D	250-320	36	CM94005OOQ1OG	21210	1	DN3-400D	250-320	36	CM94105OOQ1OG	25870	1
	320-400	36	CM94005OOR1OG	21210	1		320-400	36	CM94105OOR1OG	26370	1
DN3-630D	400-500	36	CM94006OOSOOG	24470#	1	DN3-630D	400-500	36	CM94106OOSOOG	30370#	1
	500-630	36	CM94006OOTOOG	24820#	1		500-630	36	CM94106OOTOOG	30940#	1
DN2-250N	100-125	50	CM92005OOL1OG	10920	1	DN2-250N	100-125	50	CM92105OOL1OG	15160	1
	125-160	50	CM92005OOM1OG	12290	1		125-160	50	CM92105OOM1OG	16870	1
	160-200	50	CM92006OON1OG	16760	1		160-200	50	CM92106OON1OG	21410	1
	200-250	50	CM92006OOP1OG	19350	1		200-250	50	CM92106OOP1OG	22910	1
DN3-400N	250-320	50	CM94003OOQ1OG	22720	1	DN3-400N	250-320	50	CM94103OOQ1OG	28390	1
	320-400	50	CM94003OOR1OG	22720	1		320-400	50	CM94103OOR1OG	28390	1
DN3-630N	400-500	50	CM94004OOSOOG	26490#	1	DN3-630N	400-500	50	CM94104OOSOOG	33280#	1
	500-630	50	CM94004OOTOOG	27120#	1		500-630	50	CM94104OOTOOG	33910#	1
DN2-250S	100-125	70	CM92002OOL1OG	14740	1	DN2-250S	100-125	70	CM92102OOL1OG	17180	1
	125-160	70	CM92002OOM1OG	17030	1		125-160	70	CM92102OOM1OG	20210	1
	160-200	70	CM92003OON1OG	20350	1		160-200	70	CM92103OON1OG	24760	1
	200-250	70	CM92003OOP1OG	22560	1		200-250	70	CM92103OOP1OG	26780	1
DN3-400S	250-320	70	CM94001OOQ1OG	24860	1	DN3-400S	250-320	70	CM94101OOQ1OG	30360	1
	320-400	70	CM94001OOR1OG	24860	1		320-400	70	CM94101OOR1OG	30360	1
DN3-630S	400-500	70	CM94002OOSOOG	33630#	1	DN3-630S	400-500	70	CM94102OOSOOG	35710#	1
	500-630	70	CM94002OOTOOG	33900#	1		500-630	70	CM94102OOTOOG	41120#	1

magnetic setting 3-6 In. Please contact nearest branch office for magnetic setting 6-10 In.

Switch Disconnecter (MCCBs without protection release)

Switch Disconnecter									
3 Pole					4 Pole				
Type	Current Rating (A)	Cat. No.	M.R.P. (₹) Per Unit	Std. Pkg. (Nos.)	Type	Current Rating (A)	Cat. No.	M.R.P. (₹) Per Unit	Std. Pkg. (Nos.)
DN2-250SD	100	CM96808OOKOOG	7900	1	DN2-250SD	100	CM96809OOKOOG	9800	1
	125	CM96810OOLOOOG	8100	1		125	CM96811OOLOOOG	10100	1
	160	CM96817OOMOOG	9610	1		160	CM96818OOMOOG	11900	1
	200	CM96814OONOOG	12600	1		200	CM96815OONOOG	16200	1
	250	CM96802OOPPOOG	13190	1		250	CM96803OOPPOOG	17140	1
DN3-400SD	320	CM96804OOQOOG	15500	1	DN3-400SD	320	CM96805OOQOOG	20600	1
	400	CM96804OOROOG	16500	1		400	CM96805OOROOG	21200	1
DN3-630SD	500	CM96806OOSOOG	18300	1	DN3-630SD	500	CM96807OOSOOG	23800	1
	630	CM96806OOTOOG	19390	1		630	CM96807OOTOOG	25200	1



MOULDED CASE CIRCUIT BREAKERS

MCCBs with Microprocessor Releases RC10

Microprocessor Release RC10 (Integral Overload, Short circuit, Earth fault & Neutral protection), Icu = Ics = 100%											
3 Pole						4 Pole					
Type	Thermal Release Range (A)	Breaking Capacity Icu at 415V. AC, 50Hz. (kA)	Cat. No.	M.R.P. (₹) Per Unit	Std. Pkg. (Nos.)	Type	Thermal Release Range (A)	Breaking Capacity Icu at 415V. AC, 50Hz. (kA)	Cat. No.	M.R.P. (₹) Per Unit	Std. Pkg. (Nos.)
DN2-250D	16-40	36	CM9206300000G	19440	1	DN2-250D	16-40	36	CM9215500000G	21420	1
	25-63	36	CM9207100000G	19440	1		25-63	36	CM9215400000G	21840	1
	40-100	36	CM9205100000G	19530	1		40-100	36	CM9215300000G	21980	1
	63-160	36	CM9207400000G	20190	1		63-160	36	CM9215200000G	25890	1
	100-250	36	CM9205400000G	23450	1		100-250	36	CM9215100000G	30480	1
DN3-400D	160-400	36	CM9300100000G	26240	1	DN3-400D	160-400	36	CM9300300000G	32100	1
DN3-630D	250-630	36	CM9300500000G	28300	1	DN3-630D	250-630	36	CM9300700000G	38880	1
DN2-250N	16-40	50	CM9206400000G	20440	1	DN2-250N	16-40	50	CM9216000000G	23790	1
	25-63	50	CM9207200000G	20440	1		25-63	50	CM9215900000G	23850	1
	40-100	50	CM9205200000G	20490	1		40-100	50	CM9215800000G	23910	1
	63-160	50	CM9207500000G	21610	1		63-160	50	CM9215700000G	29620	1
	100-250	50	CM9205500000G	25380	1		100-250	50	CM9215600000G	32750	1
DN3-400N	160-400	50	CM9300200000G	28570	1	DN3-400N	160-400	50	CM9300400000G	35160	1
DN3-630N	250-630	50	CM9300600000G	30670	1	DN3-630N	250-630	50	CM9300800000G	42970	1
DN4-1250N	320-800	50	CM960110000EG	52440	1	DN4-1250N	320-800	50	CM961110000EG	61670	1
	400-1000	50	CM9601200000G	64380	1		400-1000	50	CM9611200000G	83980	1
	500-1250	50	CM9601300000G	77560	1		500-1250	50	CM9611300000G	103900	1
DN2-250S	16-40	70	CM9206500000G	21050	1	DN2-250S	16-40	70	CM9216500000G	25630	1
	25-63	70	CM9207300000G	22220	1		25-63	70	CM9216400000G	25630	1
	40-100	70	CM9205900000G	22250	1		40-100	70	CM9216300000G	25760	1
	63-160	70	CM9207600000G	24040	1		63-160	70	CM9216200000G	31160	1
	100-250	70	CM9205600000G	28190	1		100-250	70	CM9216100000G	34410	1
DN3-400S	160-400	70	CM9405300000G	31800	1	DN3-400S	160-400	70	CM9415300000G	44680	1
DN3-630S	250-630	70	CM9407900000G	37500	1	DN3-630S	250-630	70	CM9417900000G	58830	1

For communication capable release, Please contact nearest branch office.

MCCBs for Motor back-up Protection

Only Short circuit protection					
3 Pole					
Type	Current Rating (A)	Breaking Capacity Iq at 415V. AC, 50Hz. (kA)	Cat. No.	M.R.P. (₹) Per Unit	Std. Pkg. (Nos.)
DN2-250M	100	50	CM9217200K00G	8650	1
	125	50	CM9217200L00G	8650	1
	160	50	CM9217200M00G	10200	1
	200	50	CM9217100N00G	13230	1
	250	50	CM9217100P00G	17090	1
DN3-400M	320	50	CM9451600Q00G	18740	1
	400	50	CM9451600R00G	19850	1
DN3-630M	500	50	CM9451500S00G	23400	1
	630	50	CM9451500T00G	23800	1

Note: Please contact nearest branch office for type 2 co-ordination chart.

MOULDED CASE CIRCUIT BREAKERS


Accessories for MCCBs

Description	Internal			Description	External		
	Cat. No.	M.R.P. (₹) Per Unit	Std. Pkg. (Nos.)		Cat. No.	M.R.P. (₹) Per Unit	Std. Pkg. (Nos.)
Aux. Contact 1 C/O	CM998010000	730	1	DN2 Direct Rotary Handle	CM998290000	1070	1
Aux. Contact 2 C/O	CM998020000	1300	1	DN3 Direct Rotary Handle	CM998600000	1580	1
Trip Alarm Contact 1 C/O - Right	CM998030000	740	1	DN2 Extended Rotary Handle	CM998300000	1470	1
Aux. 1 C/O + TAC 1 C/O - Right	CM998040000	1380	1	DN3 Extended Rotary Handle	CM998610000	2600	1
Shunt Release 110-415V AC, 110-220V DC	CM998050000	1680 &	1	DN4 Extended Rotary Handle	CM998840000	3640	1
Under Voltage Release - DN2/DN3-240V AC - Left	CM99986B000	2100 **	1	Panel door mounted Key lock for Extended Rotary Handle - Type 1	CM99958T0000	1310	1
				Panel door mounted Key lock for Extended Rotary Handle - Type 2	CM99958T000A	1310	1
Under Voltage Release - DN4-240V AC - Left	CM999060000	2250 **@	1	Panel door mounted Key lock for Extended Rotary Handle - Type 3	CM99958T000B	1310	1
				Panel door mounted Key lock for Extended Rotary Handle - Type 12	CM99958T000C	1310	1
				Panel door mounted Key lock for Extended Rotary Handle - Type 23	CM99958T000D	1310	1
				DN2-250 Spreader Terminals - 3 Pole	ST980530000	890	Set of 6
				DN3-400 Spreader Terminals - 3 Pole	ST980650000	1760	Set of 6
				DN3-630 Spreader Terminals - 3 Pole	ST980540000	1970	Set of 6
				DN4-800 Spreader Terminals - 3 Pole	ST903610000	3470	Set of 6
DN4-1000-1250 Spreader Terminals - 3 Pole	ST980550000	13130	Set of 6				
DN2-250 Spreader Terminals - 4 Pole	CM920070000	1200	Set of 8				
DN3-400 Spreader Terminals - 4 Pole	ST980660000	2520	Set of 8				
DN3-630 Spreader Terminals - 4 Pole	CM920040000	2970	Set of 8				
DN4-800 Spreader Terminals - 4 Pole	ST903620000	4730	Set of 8				
DN4-1000-1250 Spreader Terminals - 4 Pole	ST980580000	17330	Set of 8				
DN2 Mechanical Interlock Kit - Base Mounted	CM997310000	3610	1				
DN3 Mechanical Interlock Kit - Base Mounted	CM997320000	5670	1				
DN3 Motor Operator - Stored Energy 240V AC	CM981300000	22400	1				

@ Please contact nearest branch office for availability information & - 'NO' of control contactor to be connected in series for DC control supply.
** - Do not use these UV Cat. Nos. with 'Non-OG' (White look) Cat. Nos. MCCBs, Similarly, do not use old UV Cat. Nos. with 'OG' (Grey look) Cat. Nos. MCCBs.



Auto Source Transfer Controller

Type	Cat. No.	M.R.P. (₹) Per Unit	Std. Pkg. (Nos.)
AuXC-1000	ST802300000	Refer page no.8	1
Can be used along with  MCCBs, U-POWER ACBs and MCX contactors			

Note: Please contact nearest branch office for ASTS solution (Auto Source Transfer System)

MOULDED CASE CIRCUIT BREAKERS

DH MCCB

Thermal - Magnetic Release (Thermal setting = 80-100% In)											
3 Pole						4 Pole					
Type	Thermal Release Range (A)	Breaking Capacity Icu at 415V. AC, 50Hz. (kA)	Cat. No.	M.R.P. (₹) Per Unit	Std. Pkg. (Nos.)	Type	Thermal Release Range (A)	Breaking Capacity Icu at 415V. AC, 50Hz. (kA)	Cat. No.	M.R.P. (₹) Per Unit	Std. Pkg. (Nos.)
DH100 Ics = 100% Icu	12-16	25	SL972010000	4610	1	DH100 Ics = 100% Icu	12-16	25	SL985970000	6510	1
	16-20	25	SL972020000	4610	1		16-20	25	SL985980000	6510	1
	20-25	25	SL972030000	4610	1		20-25	25	SL985990000	6510	1
	25-32	25	SL972040000	4610	1		25-32	25	SL986000000	6510	1
	32-40	25	SL972050000	4610	1		32-40	25	SL986010000	6510	1
	40-50	25	SL972060000	4610	1		40-50	25	SL986020000	6510	1
	50-63	25	SL972070000	4610	1		50-63	25	SL986030000	6510	1
	63-80	25	SL972080000	4610	1		63-80	25	SL986040000	6510	1
	80-100	25	SL972090000	4920▲	1	80-100	25	SL986050000	6930▲	1	
DH125 Ics = 100% Icu	12-16	35	SL986440000	6580	1	DH125 Ics = 100% Icu	12-16	35	SL986110000	7620	1
	16-20	35	SL986450000	6580	1		16-20	35	SL986120000	7620	1
	20-25	35	SL986460000	6580	1		20-25	35	SL986130000	7620	1
	25-32	35	SL986470000	6580	1		25-32	35	SL986140000	7620	1
	32-40	35	SL986480000	6580	1		32-40	35	SL986150000	7620	1
	40-50	35	SL986490000	6580	1		40-50	35	SL986160000	7620	1
	50-63	35	SL986500000	6580	1		50-63	35	SL986170000	7620	1
	63-80	35	SL986510000	6580	1		63-80	35	SL986180000	7690	1
	80-100	35	SL986520000	7230▲	1	80-100	35	SL986190000	8470▲	1	
	100-125	35	SL986530000	7510▲	1	100-125	35	SL986070000	8470▲	1	
DH160	128-160	35	SL986540000	10570▲	1	DH160	128-160	35	SL986080000	11680▲	1
DH200	160-200	35	SL986550000	11900▲	1	▲ - Spreader Terminals are included. * DH400, DH630 MCCBs will be available till stocks last, for accessories please refer page no. 16					
DH400*	250-320	35	SL978830000	22710▲	1						
	320-400	35	SL978840000	22710▲	1						
DH630*	400-500	35	SL945310000	24660▲	1						
	500-630	35	SL945320000	24660▲	1						

DL MCCB

Thermal - Magnetic Release (Thermal setting = 80-100% In)											
3 Pole						4 Pole					
Type	Thermal Release Range (A)	Breaking Capacity Icu at 415V. AC, 50Hz. (kA)	Cat. No.	M.R.P. (₹) Per Unit	Std. Pkg. (Nos.)	Type	Thermal Release Range (A)	Breaking Capacity Icu at 415V. AC, 50Hz. (kA)	Cat. No.	M.R.P. (₹) Per Unit	Std. Pkg. (Nos.)
DL 100 Ics = 100% Icu	12-16	50	SL978010000	9520	1	DL 100 Ics = 100% Icu	12-16	50	SL986200000	10820	1
	16-20	50	SL978020000	9520	1		16-20	50	SL986210000	10820	1
	20-25	50	SL978030000	9520	1		20-25	50	SL986220000	10820	1
	25-32	50	SL978040000	9520	1		25-32	50	SL986230000	10820	1
	32-40	50	SL978050000	9520	1		32-40	50	SL986240000	10820	1
	40-50	50	SL978060000	9520	1		40-50	50	SL986250000	10820	1
	50-63	50	SL978070000	9520	1		50-63	50	SL986260000	10820	1
	63-80	50	SL978080000	9520	1		63-80	50	SL986270000	10820	1
	80-100	50	SL978090000	9860▲	1	80-100	50	SL986280000	11350▲	1	

▲ - Spreader Terminals are included.

For Icu = 65 kA please contact nearest branch office.

Accessories for DH100 / 125 / 160 / 200, DL100 MCCB

Description	Internal			Description	External		
	Cat. No.	M.R.P. (₹) Per Unit	Std. Pkg. (Nos.)		Cat. No.	M.R.P. (₹) Per Unit	Std. Pkg. (Nos.)
DH100/125/160/200, DL100 Aux. Contact - 1 C/O - Right	SL972960000	770	1	DH100/125/160/200, DL100 Spreader Terminals - 3 Pole	ST980470000	320	Set of 6
DH100/125/160/200, DL100 Aux. Contact - 1 C/O - Left	SL972970000	770	1	DH100/125/160/200, DL100 Spreader Terminals - 4 Pole	ST980600000	420	Set of 8
DH100/125/160/200, DL100 Trip Alarm Contact - Right	SL972980000	800	1	DH100/125/160/200, DL100 S S Enclosure	ST299670000	1320	1
DH100/125/160/200, DL100 Shunt Release - 240V AC - Left	SL972990M00	870	1	DH100/125/160/200, DL100 - ROM - Extended - 3 & 4 Pole - New look	CM991030000	1150	1
DH100/125/160/200, DL100 Shunt Release - 24V DC - Left	SL972990400	880	1				
DH100/125/160/200, DL100 Under Voltage Release - 240V AC - Left	SL976110000	1170	1				

MOULDED CASE CIRCUIT BREAKERS

DM MCCBs for Motor back-up Protection

Only Short circuit protection					
3 Pole					
Type	Current Rating (A)	Breaking Capacity Iq at 415V, 50 Hz (kA)	Cat. No.	M.R.P. (₹) Per Unit	Std. Pkg. (Nos.)
DM16	0.63	65	SL975810000	3820	1
	1.0	65	SL975820000	3820	1
	1.6	65	SL975830000	3820	1
	2.5	65	SL975840000	3820	1
	4.0	65	SL975850000	3820	1
	5.0	65	SL975860000	3820	1
	6.3	65	SL975870000	3820	1
	7.5	65	SL975880000	3820	1
	10.0	65	SL975890000	3820	1
	12.0	65	SL975900000	3820	1
	16.0	65	SL975910000	3820	1
	DM100	16.0	65	SL978110000	9550
25.0		65	SL978120000	9550	1
30.0		65	SL978160000	9550	1
35.0		65	SL978130000	9550	1
50.0		65	SL978140000	9550	1
60.0		65	SL978170000	9550	1
70.0		65	SL978150000	9550	1
80.0		65	SL979870000	9550	1

DM MCCBs for Motor back-up Protection

Only Short circuit protection					
3 Pole					
Type	Current Rating (A)	Breaking Capacity Iq at 415V, 50 Hz (kA)	Cat. No.	M.R.P. (₹) Per Unit	Std. Pkg. (Nos.)
DM160	100.0	65	SL971230000	15080	1
	120.0	65	SL977030000	15080	1
	160.0	65	SL971240000	15080	1
DM250	200.0	65	SL975510000	18720 ▲	1
	230.0	65	SL975520000	18720 ▲	1
	250.0	65	SL975530000	18720 ▲	1
DM400	275.0	65	SL975540000	22070 ▲	1
	325.0	65	SL975550000	22070 ▲	1
	350.0	65	SL975560000	22070 ▲	1
	400.0	65	SL975570000	22070 ▲	1

▲ - Spreader Terminals are included.

Note - Type 2 co-ordination chart for DOL and Star-Delta starting, as per IEC60947 - Part 4, is available on request

Accessories for DM16 MCCB

Description	Internal			Description	External		
	Cat. No.	M.R.P. (₹) Per Unit	Std. Pkg. (Nos.)		Cat. No.	M.R.P. (₹) Per Unit	Std. Pkg. (Nos.)
Aux. Contact - 1 C/O - Right	SL970230000	490	1	DM16 ROM - Direct	SL970440000	710	1
Aux. Contact - 1 C/O - Left	SL970250000	490	1				
Trip Alarm Contact - Right	SL970370000	500	1				
Shunt Release - 240 / 415V AC, 110V DC - Left	SL970420000	500	1				

Accessories for DM100 MCCB

Description	Internal			Description	External		
	Cat. No.	M.R.P. (₹) Per Unit	Std. Pkg. (Nos.)		Cat. No.	M.R.P. (₹) Per Unit	Std. Pkg. (Nos.)
DM100 Aux. Contact - 1 C/O - Right	SL972960000	770	1	DM100 Spreader Terminals - 3 Pole	ST980470000	320	Set of 6
DM100 Aux. Contact - 1 C/O - Left	SL972970000	770	1	DM100 Spreader Terminals - 4 Pole	ST980600000	420	Set of 8
DM100 Trip Alarm Contact - Right	SL972980000	800	1	DM100 S S Enclosure	ST299670000	1320	1
DM100 Shunt Release - 240V AC - Left	SL972990M00	870	1	DM100 - ROM - Extended - 3 & 4 Pole - New look	CM991030000	1150	1
DM100 Shunt Release - 24V DC - Left	SL972990400	880	1				
DM100 Under Voltage Release - 240V AC - Left	SL976110000	1170	1				

Accessories for DM160 MCCB

Description	Internal			Description	External		
	Cat. No.	M.R.P. (₹) Per Unit	Std. Pkg. (Nos.)		Cat. No.	M.R.P. (₹) Per Unit	Std. Pkg. (Nos.)
Aux. Contact - 2 C/O - Left	SL943290000	1870	1	DM160 ROM - Ext new look	CM991020000	1600	1
Aux. Contact - 2 C/O - Right	SL943300000	1870	1				
Shunt Release - 415V AC - Right	SL943310D00	1770	1				
Shunt Release - 240V AC - Right	SL943310B00	1770	1				
Under Voltage Release - 415V AC - Left	SL94332D000	1770	1				
Under Voltage Release - 240V AC - Left	SL94332B000	1770	1				

MOULDED CASE CIRCUIT BREAKERS

Accessories for DM250 / 400 & DH400 / 630 MCCB

Description	Internal			Description	External		
	Cat. No.	M.R.P. (₹) Per Unit	Std. Pkg. (Nos.)		Cat. No.	M.R.P. (₹) Per Unit	Std. Pkg. (Nos.)
Aux. Contact - 2 C/O	SL975730000	1260	1	DM250/400 & DH400 / 630	CM991010000	2630	1
Trip Alarm Contact - Right	SL975740000	1200	1	ROM Extended - New Look			
Shunt Release - 415V AC, 220V DC	SL975750000	1380	1	DM250/400 & DH400 - ROM	SL975620000	1080	1
Shunt Release - 240V AC, 110V DC	SL975760000	1380	1	DH 630 - ROM	SL979790000	1290	1
Under Voltage Release - 415V AC - Left	SL975790000	1600	1	DM250/400 Spreader Terminals - 3 Pole	ST980450000	2000	Set of 6
Under Voltage Release - 240V AC - Left	SL975800000	1600	1	DM250/400 Terminals Shroud - 3 Pole	SL975630000	580	Set of 2

DTH MCCB

3 Pole (for Distribution Application)					
Type	Current Rating (A)	Breaking Capacity Icu at 415V, 50 Hz (kA)	Cat. No.	M.R.P. (₹) Per Unit	Std. Pkg. (Nos.)
DTH630	360-500	50	SL944700000	36590	1
	460-630	50	SL944710000	36590	1
DTH800	600-800	50	SL944720000	36860	1

3 Pole (for Induction Furnace Application)					
Type	Magnetic Release Range (A)	Breaking Capacity Icu at 415V, 50 Hz (kA)	Cat. No.	M.R.P. (₹) Per Unit	Std. Pkg. (Nos.)
DTH800 - Instantaneous	360	50	SB950520000	36860	1
	550	50	SB950530000	36860	1
	850	50	SB950540000	36860	1
	1050	50	SB950550000	36860	1

Accessories for DTH MCCB

Description	Internal			Description	External		
	Cat. No.	M.R.P. (₹) Per Unit	Std. Pkg. (Nos.)		Cat. No.	M.R.P. (₹) Per Unit	Std. Pkg. (Nos.)
DTH Aux. Contact - 2 C/O	SL942170000	1660	1	DTH ROM - Direct	SL943370000	1760	1
DTH Shunt Release - 415V AC, 220V DC - Right	SL985260000	1850	1				
DTH Shunt Release - 240V AC, 110V DC - Right	SL985340000	1850	1				
DTH Under Voltage Release - 415V AC - Left	SL985480000	1850	1				
DTH Under Voltage Release - 240V AC - Left	SL985450000	1850	1				
DTH UV Release - 110V AC - Left	SL985430000	1850					

Earth Fault Module

Earth Fault Protection

Type	Range (A)	Cat. No.	M.R.P. (₹) Per Unit	CT	Std. Pkg. (Nos.)
GF1	100, 125, 160, 200	ST277450000	6760	Built in CBCT	1
GF2	250, 400	ST277460000	10270	Built in CBCT	1
GF11	630, 800	ST285940000	6760 ##	External CT required	1

- Required external CT (% VA, 5P10), secondary rating 1A or 5A.
CTs to be procured separately.

SWITCH DISCONNECTOR FUSE UNITS

Features offered by E-line SDFs

- Range 32A to 800A, 415V, AC 23A
- TPN and FP version
- Suitable for cylindrical / DIN fuses
- User friendly Telescopic shaft for handle
- DIN rail mounting up to 100A
- Conforming to IEC 60947-3, IS/IEC 60947-3

Features offered by FN SDFs

- Range 32A to 800A, 415V, AC 23A
- TP / TPN / FP Versions
- Suitable for cylindrical / DIN / Bolted fuses
- Available in interior / in Sheet Steel Enclosures
- Conforming to IS/IEC 60947-3 & IEC 60947-3

E-line Type FNX suitable for DIN fuses in open execution

Rated Current (A)	Suitable HRC Fuse		Type TPN				Type Four Pole			
	Type	(A)	Type	Cat. No.	M.R.P. (₹) Per Unit	Std. Pkg. (Nos.)	Type	Cat. No.	M.R.P. (₹) Per Unit	Std. Pkg. (Nos.)
32	HF	2 to 32	FNX 32 TPN / FP	SK96903	1540	1	FNX 32 TPN / FP	SK96903	1540	1
63	HF	2 to 63	FNX 63 TPN / FP	SK96904	2120	1	FNX 63 TPN / FP	SK96904	2120	1
100	HN Size 000	63 to 100	FNX 100 TPN / FP	SK96906	4420	1	FNX 100 TPN / FP	SK96906	4420	1
125	HN Size 00/000	63 to 125	FNX 125 TPN	SK95806	5850	1	FNX 125 FP	SK95814	6740	1
160	HN Size 00/000	63 to 160	FNX 160 TPN	SK95807	6770	1	FNX 160 FP	SK95815	7660	1
200	HN Size 0	80 to 200	FNX 200 TPN	SK95808	7280	1	FNX 200 FP	SK95816	8100	1
250	HN Size 1	125 to 250	FNX 250 TPN	SK95809	9780	1	FNX 250 FP	SK95817	10570	1
315	HN Size 1	125 to 315	FNX 315 TPN	SK95810	12090	1	FNX 315 FP	SK95818	12850	1
400	HN Size 2	200 to 400	FNX 400 TPN	SK95811	14570	1	FNX 400 FP	SK95819	15310	1
630	HN Size 3	315 to 630	FNX 630 TPN	SK95812	22440	1	FNX 630 FP	SK95820	23330	1
800	HN Size 3	315 to 800	FNX 800 TPN	SK95813	24460	1	FNX 800 FP	SK95821	26470	1

Type FN (TPN) suitable for DIN fuses

Rated Current (A)	Suitable HRC Fuse		Open Execution				In Sheet Steel Enclosure			
	Type	(A)	Type	Cat. No.	M.R.P. (₹) Per Unit	Std. Pkg. (Nos.)	Type	Cat. No.	M.R.P. (₹) Per Unit	Std. Pkg. (Nos.)
32	HF	2 to 32	FN 32 TPN / FP	SK95518	1540	1	FN 32 TPN / FP	SK95612	3300	1
63	HF	2 to 63	FN 63 TPN / FP	SK95421	2120	1	FN 63 TPN / FP	SK95613	4150	1
100	HN Size 000	63 to 100	FN 100 TPN	SK95568	4610	1	FN 100 TPN	SK95569	6650	1
125	HN Size 00/000	63 to 125	FN 125 TPN	SK95001	5850	1	FN 125 TPN	SK95005	7800	1
160	HN Size 00/000	63 to 160	FN 160 TPN	SK95713	6770	1	FN 160 TPN	SK95715	8600	1
200	HN Size 0	80 to 200	FN 200 TPN	SK95418	7280	1	FN 200 TPN	SK95511	9700	1
250	HN Size 1	125 to 250	FN 250 TPN	SK95642	9780	1	FN 250 TPN	SK95681	12200	1
315	HN Size 1	125 to 315	FN 315 TPN	SK95461	12090	1	FN 315 TPN	SK95514	14600	1
400	HN Size 2	200 to 400	FN 400 TPN	SK95481	14570	1	FN 400 TPN	SK95515	16700	1
630	HN Size 3	315 to 630	FN 630 TPN	SK95521	22440	1	FN 630 TPN	SK95547	26400	1
800	HN Size 3	315 to 800	FN 800 TPN	SK95679	24460	1	FN 800 TPN	SK95705	29300	1

HRC FUSE LINKS AND FUSE BASES

- Conforms to IEC 60269-2, IS 13703 part 2
- Range : 2A to 800A, 415V, AC 50Hz
- Type : DIN (63A to 800A), Cylindrical (2A to 63A) & Bolted (2A to 630A)
- Energy efficient Fuse Links

Cylindrical Fuse Links Type HF

Rating (A)	Description	Cat. No.	M.R.P. (₹) Per Unit	Std. Pkg. (Nos.)
2	Suitable for Type FN 32 / 63 / FNX 32 / 63 Switch Disconnector Fuse Units. Also for HCO 32 Fuse base	SF90144	81	30
4		SF90145	81	30
6		SF90146	81	30
8		SF90147	81	30
10		SF90148	81	30
16		SF90150	81	30
20		SF90151	81	30
25		SF90152	81	30
32		SF90142	85	30
40		Suitable for Type FN 63 / FNX 63 Switch Disconnector Fuse Units. Also for HC 63 Fuse base	SF90143	87
50	SF90158		162	30
63	SF90159		198	30

DIN Type Fuse Links Type HN

Rating (A)	Description	Cat. No.	M.R.P. (₹) Per Unit	Std. Pkg. (Nos.)
Size 000 :				
63	Suitable for Type FA-C 100 Switch fuse units and type FN 100/125/160 / FNX 100/125/160 Switch Disconnector Fuse Units. Also for HB 125 Fuse base	SF94940	233	3
80		SF94941	233	3
100		SF94942	233	3
125	Also for HB 125 Fuse base	SF94946	263	3
Size 00 :				
63	Suitable for Type FA-C 100 Switch fuse units and type FN 100/125/160 / FNX 125/160 Switch Disconnector Fuse Units. Also for HB 125 Fuse base	SF94027	358	3
80		SF94028	358	3
100		SF94029	358	3
125		SF94030	394	3
160	Also for HB 125 Fuse base	SF94939	421	3
Size 0 :				
80	Suitable for Type FN 200 / FNX 200 Switch Disconnector Fuse Units. Also for HB 250 Fuse base	SF94128	454	3
100		SF94129	454	3
125		SF94130	454	3
160		SF94131	454	3
200	Also for HB 250 Fuse base	SF94132	470	3
Size 1:				
125	Suitable for Type FN 250/315 / FNX 250/315 Switch Disconnector Fuse Units. Also for HB 250 Fuse base	SF94230	538	3
160		SF94231	538	3
200		SF94232	538	3
250		SF94233	607	3
315		SF94234	748	3
Size 2:				
200	Suitable for Type FN 400 / FNX 400 Switch Disconnector Fuse Units. Also for HB 800 Fuse base	SF94332	781	3
250		SF94333	781	3
315		SF94334	796	3
400		SF94335	796	3
Size 3:				
315	Suitable for Type FN 630/800 / FNX 630/800 Switch Disconnector Fuse Units. Also for HB 800 Fuse base	SF94434	1267	1
400		SF94435	1267	1
500		SF94436	1267	1
630		SF94437	1304	1
800		SF94938	1554	1

Bolted Fuse Links Type HG and HQ

Type	Fixing Method	Size	Rating (A)	Cat. No.	M.R.P. (₹) Per Unit	Std. Pkg. (Nos.)		
HG	Offset, staggered	F1	2	ST30725	36	20		
			4	ST30726	36	20		
			6	ST30727	36	20		
			10	ST30728	36	20		
			16	ST30729	36	20		
			20	ST30730	42	20		
			25	ST30731	42	20		
			32	ST30732	42	20		
		HQ	Offset	A1	2	ST30736	51	20
					4	ST30737	51	20
					6	ST30738	51	20
					10	ST30739	51	20
					16	ST30740	51	20
					20	ST30741	51	20
25	ST30742				60	20		
32	ST30743				60	20		
A1L	20			ST34527	62	20		
	25			ST34528	62	20		
	32			ST34529	62	20		
	50			ST35827	71	20		
	63			ST35828	71	20		
	A2			4	ST30747	45	10	
6		ST30748	45	10				
10		ST30749	45	10				
16		ST30750	45	10				
20		ST30751	45	10				
25		ST30752	45	10				
32		ST30753	45	10				
35		ST30759	81	10				
A3	50	ST30760	81	10				
	63	ST30761	81	10				
	80	ST30767	151	10				
	100	ST30768	151	10				
A4	125	ST30769	186	10				
	160	ST35829	193	10				
	80	ST30774	186	10				
	100	ST30775	186	10				
Centre Tag, 2 holes	B1	125	ST30776	211	10			
		125	ST30777	217	3			
		160	ST30778	217	3			
	B2	200	ST30779	217	3			
		250	ST30781	317	3			
		315	ST30782	330	3			
		355	ST30783	591	3			
	B4	400	ST30784	591	3			
		400	ST30785	812	1			
		500	ST30786	834	1			
Centre Tag, 4 holes	C2	630	ST30787	1173	1			
		630	ST30788	1381	1			

Fuse Pulling Handle

Description	Cat. No.	M.R.P. (₹) Per Unit	Std. Pkg. (Nos.)
Fuse pulling handle for HF-Fuselinks from 2A-63A	SK91185	120	1
Insulated fuse pulling handle for Type HN fuse links from 63A-800A	SF90126	458	1

SWITCH DISCONNECTOR FUSE UNITS

Type FN (TPN) suitable for Bolted fuses

Rated Current (A)	Open Execution				
	Type	Fuse Size (Bolted Type)	Cat. No.	M.R.P. (₹) Per Unit	Std. Pkg. (Nos.)
32	FN 32 TPN	A1L	SK95653	1590	1
63	FN 63 TPN	A1L	SK95651	2180	1
100	FN 100 TPN	A3 / A4	SK95570	4370	1
125	FN 125 TPN	A4	SK95009	5500	1
160	FN 160 TPN	A4	SK95714	5700	1
200	FN 200 TPN	B2	SK95588	6610	1
250	FN 250 TPN	B2 / B3	SK95682	8930	1
315	FN 315 TPN	B3	SK95590	11240	1
400	FN 400 TPN	B4	SK95591	13220	1
630	FN 630 TPN	C2	SK95592	20510	1

Type FN (TPN) with CE handle suitable for cylindrical fuses

Rated Current (A)	Type	Cat. No.	M.R.P. (₹) Per Unit	Std. Pkg. (Nos.)
32	FN 32 SDF with 'CE' handle	SK95703	1430	1
63	FN 63 SDF with 'CE' handle	SK95704	1980	1

Switch Interiors for Panel Mounting

Rating (A)	Description	Cat. No.	M.R.P. (₹) Per Unit	Std. Pkg. (Nos.)
32	FFO TP Interior	SK91100	940	1
63	FF TP Interior	SK91000	1420	1
63	FAC 63 TPN	SK95156	2630	1
100	FAC 100 TPN	SK95157	4310	1

Type FN (TP) suitable for DIN fuses

Rated Current (A)	Description	Cat. No.	M.R.P. (₹) Per Unit	Std. Pkg. (Nos.)
100	FN 100 TP	ST30287	*	1
125	FN 125 TP	ST27894	*	1
200	FN 200 TP	ST27895	*	1
250	FN 250 TP	ST31731	*	1
315	FN 315 TP	ST27897	*	1
400	FN 400 TP	ST27898	*	1
630	FN 630 TP	ST27899	*	1

* Available on request

SWITCH DISCONNECTOR ISOLATOR (TPN)

Type FN & FG

Rated Current (A)	Type	Cat. No.	M.R.P. (₹) Per Unit	Std. Pkg. (Nos.)
32	FN 32 TPN	SK95541	1450	1
63	FN 63 TPN	SK95540	2090	1
100	FN 100 TPN	SK95571	3980	1
125	FN 125 TPN	SK95405	5050	1
200	FN 200 TPN	SK95607	6250	1
250	FN 250 TPN	SK95683	8850	1
315	FN 315 TPN	SK95609	9940	1
400	FN 400 TPN	SK95610	13040	1
630	FN 630 TPN	SK95611	19040	1
800	FN 800 TPN	SK95551	21820	1
1000	FN 1000 TPN	SK95710	26690	1
1000	FN 1000H TPN	SK95992	31910	1
1250	FG 1250 TPN	ST30198	41130	1
1600	FG 1600 TPN	ST30199	62240	1
2000	FG 2000 TPN	ST30200	151170	1
2500	FG 2500 TPN	ST30201	157835	1
3150	FG 3150 TPN	ST30202	177840	1

Note: The above units will not accommodate fuses

FUSE BASES

Fuse Bases suitable for Bolted Fuse Links

Rated Current (A)	Type	Connection Method	Fuse Type	Suitable Fuse Range (A)	Cat. No.	M.R.P. (₹) Per Unit	Std. Pkg. (Nos.)
20	HD 20H	Both side cable	F1	2-20	ST30772	83	10
	HD 20P	Both side busbar	F1	2-20	ST30773	83	10
	HD 20B	Top busbar & bottom cable	F1	2-20	ST30766	83	10
32	HD 32H	Both side cable	F1	2-32	ST30733	105	10
	HD 32P	Both side busbar	F1	2-32	ST30734	105	10
	HD 32B	Top busbar & bottom cable	F1	2-32	ST30735	105	10
	HK 32H	Both side cable	A2	4-32	ST30754	169	10
	HK 32B	Top busbar & bottom cable	A2	4-32	ST30755	183	10
63	HK 63H	Both side cable	A3	35-63	ST30762	221	10
	HK 63B	Top busbar & bottom cable	A3	35-63	ST30763	249	10
125	HK 125H	Both side cable	A4	80-125	ST30770	604	10
	HK 125B	Top busbar & bottom cable	A4	80-125	ST30771	686	10

Fuse Bases suitable for Cylindrical / DIN Type HRC fuse links Type HF & HN

Rated Current (A)	Type	Suitable Fuse Type	Suitable Fuse Range (A)	Cat. No.	M.R.P. (₹) Per Unit	Std. Pkg. (Nos.)
32	HCO 32	HF	2-32	SK91314	147	10
63	HC 63	HF	2-63	SK91043	187	10
160	HB 160	HN-Size 000 & 00	63-160	SK90405	301	12
250	HB 250	HN-Size 0 & 1	80-250	SK90406	580	3
800	HB 800	HN-Size 2 & 3	200-800	SK91051	1145	3

ACCESSORIES FOR SWITCH DISCONNECTOR FUSE UNITS

Accessories for FN

Description	Cat. No.	M.R.P. (₹) Per Unit	Std. Pkg. (Nos.)
For FN 32 / 63			
Auxiliary Contact Kit	SK91302	372	1
Terminal Shroud Kit	SK91190	102	1
Handle Assembly - A	SK91257	302	1
Handle Assembly - B	SK91277	302	1
Handle Assembly - CE	SK91337	168	1
For FN 100 / 125 / 160			
Auxiliary Contact Kit	SK91328	389	1
Terminal Shroud Kit	SK91137	140	1
Mechanical Interlock Kit	SK95232	938	1
Switched Neutral Kit	SK95233	2166	1
Handle Assembly - A	SK91258	565	1
Handle Assembly - B	SK91278	659	1
Shaft Extension Kit	SK95600	174	1
For FN 200 / 250			
Auxiliary Contact Kit	SK91329	504	1
Terminal Shroud Kit	SK91335	237	1
Mechanical Interlock Kit	SK95232	938	1
Switched Neutral Kit	SK95516	2200	1
Interphase Barrier Kit - FN 200	SK91343	219	1
Handle Assembly - A	SK91258	565	1
Handle Assembly - B	SK91278	659	1
For FN 315 / 400 / 630 / 800			
Auxiliary Contact Kit*	SK91330	504	1
Terminal Shroud Kit - FN 315/400	SK91346	237	1
Terminal Shroud Kit - FN 630/800 *	SK91347	237	1
Mechanical Interlock Kit *	SK95545	1072	1
Switched Neutral Kit FN 315/400	SK95517	2290	1
Switched Neutral Kit FN 630/800 *	SK95546	3080	1
Interphase Barrier Kit - FN 315/400	SK91344	232	1
Interphase Barrier Kit - FN 630/800 *	SK91345	232	1
Shaft Extension Kit *	SK91331	210	1
Handle Assembly - A *	SK91259	731	1
Handle Assembly - B *	SK91279	731	1

* Also suitable for switch-disconnector FN1000 & FN1000H

Spare Front Housing Assemblies for FN (DIN fuses)

Rating (A)	Description	Cat. No.	M.R.P. (₹) Per Unit	Std. Pkg. (Nos.)
100	FN 100 Front housing assly	ST31677	2819	1
125	FN 125 Front housing assly	ST31678	3297	1
200	FN 200 Front housing assly	ST31679	3765	1
250	FN 250 Front housing assly	ST31729	5116	1
315	FN 315 Front housing assly	ST31681	6169	1
400	FN 400 Front housing assly	ST31682	7775	1
630	FN 630 Front housing assly	ST31683	13955	1

Accessories for FNX

Description	Cat. No.	M.R.P. (₹) Per Unit	Std. Pkg. (Nos.)
For FNX 32 / 63			
Auxiliary Contact Kit	SK91537	170	1
Handle Assembly	SK91524	312	1
Castell Lock	SK91530	574	1
Din Rail Assembly	SK91617	75	1
For FNX 100			
Auxiliary Contact Kit	SK91538	327	1
Handle Assembly	SK91524	312	1
Castell Lock	SK91530	574	1
Din Rail Assembly	SK91617	75	1
For FNX 125 / 160			
Auxiliary Contact Kit	SK91539	336	1
Handle Assembly	SK91525	590	1
Castell Lock	SK91531	1015	1
Mechanical Interlock kit	SK95232	938	1
For FNX 200 / 250			
Auxiliary Contact Kit	SK91540	441	1
Handle Assembly	SK91525	590	1
Castell Lock	SK91531	1015	1
Mechanical Interlock kit	SK95232	938	1
For FNX 315 / 400 / 630 / 800			
Auxiliary Contact Kit	SK91541	441	1
Handle Assembly	SK91526	737	1
Castell Lock	SK91531	1015	1
Mechanical Interlock kit	SK95545	1072	1

Castell Lock for FN - SDF

Rating (A)	Description & Cat. No.		M.R.P. (₹) Per Unit	Std. Pkg. (Nos.)
From FN 100 to FN 250	A = SK00333 C = SK00335	B = SK00334 D = SK00336	1165	1
From FN 315 to FN 800	A = SK00345 C = SK00347	B = SK00346 D = SK00348	1165	1

Spares & Accessories for Switch Interiors

Description	Rating (A)	Cat. No.	M.R.P. (₹) Per Unit	Std. Pkg. (Nos.)
FAC - Handle Assembly	63 / 100	SK90453	64	1
FFO / FF Handle Assembly	32 / 63	SK90998	75	1
FFO / FF Handle Coupler & Door Interlock	32 / 63	SK91079	383	1

Spare Contact Kits for FN

Description	Cat. No.	M.R.P. (₹) Per Unit	Std. Pkg. (Nos.)
Spare Contact Kit for FN 400	SK91377	1474	1
Spare Contact Kit for FN 630	SK91378	2202	1

ON LOAD CHANGEOVER SWITCHES - (63A to 1600A)

Type **C-line** in Open Execution



Rated Current (A)	Type	Cat. No.	M.R.P. (₹) Per Unit	Std. Pkg. (Nos.)
125	CO2-125	CO212500000	7900	1
160	CO2-160	CO216000000	8800	1
200	CO2-200	CO220000000	10620	1
250	CO3-250	CO325000000	15020	1
315	CO3-315	CO331500000	15900	1
400	CO4-400	CO440000000	23000	1
630	CO4-630	CO463000000	27350	1
800	CO5-800	CO580000000	40000	1
1000	CO5-1000	CO510000000	65800	1

Type FG / FGC (TPN) (63A, 1250A, 1600A)

Rated Current (A)	Type	Description	Cat. No.	M.R.P. (₹) Per Unit	Std. Pkg. (Nos.)
63	FG 63	Line mounting with 8 O/P terminals	ST265100000	4500	1
1250	FGC 1250	Back to Back mtg. with 4 O/P terminals	ST274600000	96200	1
1600	FG 1600	Back to Back mtg. with 8 O/P terminals	ST274700000	134000	1

Type **C-line** in SS Enclosure



Rated Current (A)	Type	Cat. No.	M.R.P. (₹) Per Unit	Std. Pkg. (Nos.)
125	CO2-125	CO212500S00	10700	1
160	CO2-160	CO216000S00	11750	1
200	CO2-200	CO220000S00	13550	1
250	CO3-250	CO325000S00	18900	1
315	CO3-315	CO331500S00	19800	1
400	CO4-400	CO440000S00	28900	1
630	CO4-630	CO463000S00	33500	1
800	CO5-800	CO580000S00	48500	1
1000	CO5-1000	CO510000S00	82700	1

Type **C-line** in Fused Version for Open Execution Fuse Mountable Kit



Rated Current (A)	Suitable Changeover	Fuse Mountable Kit	Cat. No.	M.R.P. (₹) Per Unit	Std. Pkg. (Nos.)
125	CO2-125	CO Frame 2 125A	CX212500ODO	2920	1
160	CO2-160	CO Frame 2 160A	CX216000ODO	3870	1
200	CO2-200	CO Frame 2 200A	CX220000ODO	4935	1
250	CO3-250	CO Frame 3 250A	CX325000ODO	5200	1
315	CO3-315	CO Frame 3 315A	CX331500ODO	5450	1
400	CO4-400	CO Frame 4 400A	CX440000ODO	8100	1

Note: Does not required separate cable gland box

Spares & Accessories for C/Os & SDs Type **C-line** / FG / FGC

Auxiliary Contact

Auxiliary Contact Block suitable for	Auxiliary Contact	Cat. No.	M.R.P. (₹) Per Unit	Std. Pkg. (Nos.)
C/O Frame 2 (125-200A) Kit	2 NO + 2 NC	CX200020000	640	1
C/O Frame 3 (250-315A) Kit	2 NO + 2 NC	CX300020000	695	1
C/O Frame 4 (400-630A) Kit	2 NO + 2 NC	CX400020000	735	1
C/O Frame 5 (800-1000A) Kit	2 NO + 2 NC	CX500020000	840	1
FG & FGC 63 - 1600A	1 NO + 1 NC	ST265120000	410	1
	2 NO + 2 NC	ST265420000	720	1

Operating Handle

Operating Handle suitable for	Cat. No.	M.R.P. (₹) Per Unit	Std. Pkg. (Nos.)
C/O Frame 2 & 3 (125-315A)	CX300010000	845	1
C/O Frame 4 (400-630A)	CX400010000	1110	1
C/O Frame 5 (800-1000A)	CX500010000	1210	1
FG C/O 63A	ST418680000	720	1
FG Isolator 1000 / 1250 / 1600A	ST265910000	2680	1
FGC C/O 1000 / 1250A	ST265910000	2680	1

POWER CONTACTORS



SUPERNOVA™

Conform to IS/IEC 60947-4-1, IEC 60947-4-1

3 Pole Power Contactors - Type MX

Type	AC1 Rating (415V)	AC3 Rating (415V)	Aux. Contact	Cat. No.	M.R.P. (₹) Per Unit	Std. Pkg. (Nos.)	Type	AC1 Rating (415V)	AC3 Rating (415V)	Aux. Contact	Cat. No.	M.R.P. (₹) Per Unit	Std. Pkg. (Nos.)
For AC control (Std. Coil Voltage - 24, 110, 240, 415V, 50Hz)							For DC control (Std. Coil Voltage - 24, 110, 220V)						
MX 06	20A	6A	1 NO	CS94012	610	10	MX 06	20A	6A	1 NO	CS94021	935	10
MX 06	20A	6A	1 NC	CS94013	610	10	MX 06	20A	6A	1 NC	CS94022	935	10
MX 09	20A	9A	1 NO	CS94014	645	10	MX 09	20A	9A	1 NO	CS94023	970	10
MX 09	20A	9A	1 NC	CS94015	645	10	MX 09	20A	9A	1 NC	CS94024	970	10
MX 12	20A	12A	1 NO	CS94016	700	10	MX 12	20A	12A	1 NO	CS94025	1020	10
MX 12	20A	12A	1 NC	CS94017	700	10	MX 12	20A	12A	1 NC	CS94026	1020	10

3 Pole Power Contactors - Type MNX

AC3 Rating (A)	AC1 Rating (A)	Type	Aux. Contacts	Cat. No.	M.R.P. (₹) Per Unit	Std. Pkg. (Nos.)
9	25	MNX 9	1 NO	CS94106	715	10
			1 NC	CS94107	715	10
12	30	MNX 12	1 NO	CS94108	810	10
			1 NC	CS94109	810	10
18	30	MNX 18	1 NO	CS94100	890	10
			1 NC	CS94101	890	10
22	32	MNX 22	1 NO	CS94980	1025	10
			1 NC	CS94981	1025	10
25	45	MNX 25	#	CS94110	1200	10
32	55	MNX 32	#	CS94111	2475	10
40	55	MNX 40	#	CS94190	3650	10
45	80	MNX 45	2 NO + 2 NC	ST19000	4750	1
50	80	MNX 50	2 NO + 2 NC	ST19001	4825	1
70	100	MNX 70	2 NO + 2 NC	ST19002	6680	1
80	100	MNX 80	2 NO + 2 NC	ST19003	8200	1
95	160	MNX 95	2 NO + 2 NC	CS94136	9700	1
110	160	MNX 110	2 NO + 2 NC	CS94137	11000	1
140	160	MNX 140	2 NO + 2 NC	CS94138	15000	1
185	250	MNX 185	2 NO + 2 NC	CS94139	20300	1
225	300	MNX 225	2 NO + 2 NC	CS94140	23000	1
265	350	MNX 265	2 NO + 2 NC	CS94142	27500	1
325	400	MNX 325	2 NO + 2 NC	CS94143	32500	1
400	425	MNX 400	2 NO + 2 NC	CS94144	40000	1
550	650	MNX 550	2 NO + 2 NC	CS94145	57000	1
650	850	MNX 650	2 NO + 2 NC	CS96327	71000	1

3 Pole Power Contactors - Type ML

AC3 Rating (A)	AC1 Rating (A)	Type	Aux. Contacts	Cat. No.	M.R.P. (₹) Per Unit	Std. Pkg. (Nos.)
25	25	ML 1.5	2 NO + 2 NC	SS91851	1700	1
32	40	ML 2	2 NO + 2 NC	SS90701	3150	1
40	45	ML 3	2 NO + 2 NC	SS90721	4650	1
70	100	ML 4	2 NO + 2 NC	SS90910	7600	1
110	125	ML 6	2 NO + 2 NC	SS90921	12000	1
200	250	ML 10	2 NO + 2 NC	SS90935	26500	1
300	400	ML 12	2 NO + 2 NC	SS91010	29000	1

Notes:

- # Add on blocks can be ordered separately
- Std. Coil Voltage :
MNX / MO / ML - 110V, 220V, 240V and 415V, 50Hz
MCX - 220V, 240V, 50Hz
- For Ordering Suffix please refer page 25, Table B
- For Ordering MX accessories please refer page 23
- *Ordering Suffix for MCX21 / MCX22; FOOO - 240V AC, ROOO - 415V AC

3 Pole Power Contactors - Type MO



AC3 Rating (A)	AC1 Rating (A)	Type	Aux. Contacts	Cat. No.	M.R.P. (₹) Per Unit	Std. Pkg. (Nos.)
9	30	MO 9	#	CS94564	620	10
12	35	MO 12	#	CS94565	710	10
18	40	MO 18	#	CS94566	800	10
25	45	MO 25	#	CS94567	1200	10
32	50	MO 32	#	CS94568	2475	10
40	50	MO 40	#	CS94569	3650	10
45	50	MO 45	#	CS94570	4500	10
50	65	MO 50	#	CS94572	4575	1
60	80	MO 60	#	CS94573	5350	1
70	100	MO 70	#	CS94574	6430	1
80	125	MO 80	#	CS94576	7950	1
95	125	MO 95	#	CS94577	9450	1
110	140	MO 110	#	CS94578	10750	1

4 Pole Power Contactors - Type MCX

Type	Aux Contacts	AC-1 Rating (A)	Cat. No.	M.R.P. (₹) Per Unit	Std. Pkg. (Nos.)
MCX 01	-	16	CS94316	950	10
MCX 02	-	25	CS94317	1050	10
MCX 03	-	32	CS94318	1100	10
MCX 04	-	40	CS94319	1655	10
MCX 11	-	50	CS94657	2100	1
MCX 12	-	63	CS94656	4000	1
MCX 21*	2 NO + 2 NC	80	CS94653	5700	1
MCX 22*	2 NO + 2 NC	100	CS94654	6500	1
MCX 31	1 NO + 1 NC	130	CS94320	9000	1
MCX 32	1 NO + 1 NC	160	CS94321	13000	1
MCX 33	1 NO + 1 NC	200	CS94322	16000	1
MCX 34	1 NO + 1 NC	255	CS94323	18000	1
MCX 41	2 NO + 2 NC	325	CS94292	29500	1
MCX 42	2 NO + 2 NC	360	CS94286	32000	1
MCX 43	2 NO + 2 NC	400	CS94287	40000	1
MCX 44	2 NO + 2 NC	500	CS94288	47000	1
MCX 45	2 NO + 2 NC	600	CS94289	56000	1
MCX 46	2 NO + 2 NC	700	CS94290	67000	1

4 Pole Mechanically Interlocked Contactors

Type	Aux Contacts	Cat. No.	M.R.P. (₹) Per Unit	Std. Pkg. (Nos.)
Two MCX 11	#	CS94362	5200	1
Two MCX 12	#	CS94365	9000	1
MCX 11 - MCX 12	#	CS94363	7100	1

POWER CONTACTORS ACCESSORIES

Add-on Auxiliary contact blocks for MNX, MCX and ML

Mounting Position	Contacts	Contactor	Cat. No.	M.R.P. (₹) Per Unit
Top	4 NO	MNX 9-40/ MCX 01-12	CS94112	300
	3 NO + 1 NC		CS94113	300
	2 NO + 2 NC		CS94114	300
	1 NO + 3 NC		CS94115	300
	4 NC		CS94116	300
	2 NO		CS94117	200
	1 NO + 1 NC		CS94118	200
	2 NC		CS94119	200
	1 NO		CS94120	100
	1 NC	CS94121	100	
First Left	1 NO + 1 NC	MNX 9-40/	CS94220	300
First Right	1 NO + 1 NC	MCX 01-04	CS94221	300
First Left	1 NO + 1 NC	MNX 45-80/ MCX 11-22	CS94201	300
First Right	1 NO + 1 NC		CS94202	300
Second Left	1 NO + 1 NC		CS94203	300
Second Right	1 NO + 1 NC		CS94204	300
First Left	1 NO + 1 NC	MNX 95-650/ MCX 31-46	CS94205	350
First Right	1 NO + 1 NC		CS94206	350
Second Left	1 NO + 1 NC		CS94207	350
Second Right	1 NO + 1 NC		CS94208	350
Side Left / Right	1 NO + 1 NC	ML 4/6	SS91494	375
Side Left / Right	1 NO + 1 NC	ML 10/12	SS91474	375

Surge Suppressor for MNX & MCX

Contactor	Cat. No.	M.R.P. (₹) Per Unit
MNX 9-40 / MCX 01-04	CS94166*	300
MNX 45-80 / MCX 11-22	CS94163*	300
MNX 95-225 / MCX 31-34	CS94164*	1075
MNX 265-400 / MCX 41-44	CS94165*	1450

Ordering Suffix * 110-240V: BOOO, 415V: DOOO

* 110V: AOOO, 220-240V: BOOO, 360-525V: DOOO

Add-on Auxiliary contact blocks for MO

Mounting Position	Contacts	Contactor	Cat. No.	M.R.P. (₹) Per Unit
Top	4 NO	MO 9-110	CS94594	300
	3 NO + 1 NC		CS94595	300
	2 NO + 2 NC		CS94596	300
	1 NO + 3 NC		CS94597	300
	4 NC		CS94598	300
	2 NO		CS94591	200
	1 NO + 1 NC		CS94592	200
	2 NC		CS94593	200
	1 NO		CS94585	100
	1 NC	CS94586	100	
First Left	1 NO + 1 NC		CS94580	300
First Right	1 NO + 1 NC		CS94581	300
Second Left	1 NO + 1 NC		CS94582	300
Second Right	1 NO + 1 NC		CS94583	300

Mechanical Interlock Kit for MO and MNX

Contactor	Cat. No.	M.R.P. (₹) Per Unit
MO 9-110	CS94584	305
MNX 9-40	CS94126	305
MNX 45-80	CS94197	1190
MNX 95-140	CS94198	1955
MNX 185-225	CS94199	2240
MNX 265-650	CS94200	2535

Mechanically interlock kit for MCX

Type	Cat. No.	M.R.P. (₹) Per Unit
MCX 01 to MCX 04	CS94126	305
MCX 21 / MCX 22	CS93095	1950
MCX 31 to MCX 34	SS94992	2100
MCX 41 to MCX 46	CS94301	3400

CONTACTOR RELAYS

Type MX0

Rated Current	Description	Cat. No.	M.R.P. (₹) Per Unit	Std. Pkg. (Nos.)
For AC control std. Coil Voltage - 24, 110, 240, 415V, 50Hz				
AC-15 4A	MX0 40E (4 NO)	CS94018	730	10
	MX0 31E (3 NO + 1 NC)	CS94019	730	10
	MX0 22E (2 NO + 2 NC)	CS94020	730	10
	MX0 13E (1 NO + 3 NC)	CS94041	730	10
	MX0 04E (4 NC)	CS94042	730	10
For DC control std. Coil Voltage - 24, 110, 220V				
AC-15 4A	MX0 40E (4 NO)	CS94027	960	10
	MX0 31E (3 NO + 1 NC)	CS94028	960	10
	MX0 22E (2 NO + 2 NC)	CS94029	960	10
	MX0 13E (1 NO + 3 NC)	CS94043	960	10
	MX0 04E (4 NC)	CS94044	960	10

For Ordering Suffix please refer page 25, Table B

Add on Auxiliary Contact Block for MX

Description	Cat. No.	M.R.P. (₹) Per Unit	Std. Pkg. (Nos.)
MX - A1 02E - 2 NO	CS94030	175	10
MX - A1 11E - 1 NO + 1 NC	CS94031	175	10
MX - A1 02E - 2 NC	CS94032	175	10
MX - A1 40E - 4 NO	CS94033	300	10
MX - A1 31E - 3 NO + 1 NC	CS94034	300	10
MX - A1 22E - 2 NO + 2 NC	CS94035	300	10
MX - A1 13E - 1 NO + 3 NC	CS94036	300	10
MX - A1 04E - 4 NC	CS94037	300	10

Mechanically interlock kit for MX

Type	Cat. No.	M.R.P. (₹) Per Unit	Std. Pkg. (Nos.)
MX 06 to MX 09 / MX 0	CS94038	300	1

Surge Suppressor for MX

Type	Cat. No.	M.R.P. (₹) Per Unit	Std. Pkg. (Nos.)
MX 06 to MX 09 / MX 0 AC	CS94039	300	1

CONTACTOR RELAYS

Type MN0

Rated Current	Description	Cat. No.	M.R.P. (₹) Per Unit	Std. Pkg. (Nos.)
For AC control std. Coil Voltage - 24, 110, 240, 415V, 50Hz				
AC-15 4A	MN0 40E (4 NO)	SS94660	950	10
	MN0 31E (3 NO + 1 NC)	SS94661	950	10
	MN0 22E (2 NO + 2 NC)	SS94662	950	10
	MN0 13E (1 NO + 3 NC)	SS94663	950	10
	MN0 04E (4 NC)	SS94664	950	10
For DC control std. Coil Voltage - 24, 110, 220V				
AC-15 4A	MN0 40E (4 NO)	SS94665	1500	10
	MN0 31E (3 NO + 1 NC)	SS94666	1500	10
	MN0 22E (2 NO + 2 NC)	SS94667	1500	10
	MN0 13E (1 NO + 3 NC)	SS94668	1500	10
	MN0 04E (4 NC)	SS94669	1500	10

For Ordering Suffix please refer page 25, Table B

Add on Auxiliary Contact Block for MN Contactors

Contacts Type	Cat. No.	M.R.P. (₹) Per Unit	Std. Pkg. (Nos.)
4 NO	SS94083	300	10
3 NO + 1 NC	SS94084	300	10
2 NO + 2 NC	SS94085	300	10
1 NO + 3 NC	SS94086	300	10
4 NC	SS94087	300	10
2 NO	SS94080	200	10
1 NO + 1 NC	SS94081	200	10
2 NC	SS94082	200	10
1 NO	SS94715	100	10
1 NC	SS94716	100	10

Surge Suppressor for MN0

Type	Cat. No.	M.R.P. (₹) Per Unit	Std. Pkg. (Nos.)
MN0 AC	SS94623	300	1

Ordering Suffix 110-240V : B000
415V : D000

DEFINITE PURPOSE CONTACTORS

For Ordering Suffix please refer page 24

Single Pole Contactors Type MR

Standard Voltage 240V, 50Hz

Type	AC3 Rating (A)	Cat. No.	M.R.P. (₹) Per Unit	Std. Pkg. (Nos.)
MR 11W	25A	CS94176	500	10
MR 11NW	25A	CS94178	570	10
MR 13	40A	CS94992	550	40

Ordering suffix B000 - 240V, 50Hz

3 Pole Contactors Type MU

Type	AC3 Rating (A)	Cat. No.	M.R.P. (₹) Per Unit	Std. Pkg. (Nos.)
MU 1	16A	CS94007	1250	10
MU 2	25A	CS94008	1640	10

For Overload Relays type MU please refer page no. 26

Add on Auxiliary Contact Block for MU / MR / MPX

For Contactor	Description	Contacts Type	Cat. No.	M.R.P. (₹) Per Unit	Std. Pkg. (Nos.)
MU 1 / MU 2	Side mounted auxiliary contact block	1 NO + 1 NC	SS94072	119	10
		1 NC	SS94074	94	10
MR	Add on Single pole (AC11 - 4A)	1 NO	CS94179	130	10
MPX 8 / 12 / 15 / 25 / 30 / 50 / 60	Side Add on block	1 NC	ST41818	450	1
	Side Add on block	1 NO	ST41819	450	1
	Side Add on block	1 NO + 1 NC	ST94985	595	1

Capacitor Duty Contactors Type MPX

Standard Voltage 230V, 50Hz

Type	Built-in Auxiliary Contacts	kVAR Rating @ 400V, 3Ph, 50Hz	Cat. No.	M.R.P. (₹) Per Unit	Std. Pkg. (Nos.)
MPX 8	1 NO	8	ST41807	1725	1
MPX 12	1 NO	12.5	ST41808	1850	1
MPX 15	-	15	ST41809	2400	1
MPX 25	-	25	ST41810	3100	1
MPX 30	-	30	ST41811	6150	1
MPX 50	-	50	ST41812	9500	1
MPX 60	-	60	ST41813	10850	1

4 Pole Contactors Type MK1

Standard Coil Voltage 110, 220, 230 / 250, 360, 400 / 440V, 50Hz

Type	AC3 Rating (A)	Motor Output 3 Phase 415V, 50Hz		Cat. No.	M.R.P. (₹) Per Unit	Std. Pkg. (Nos.)
		HP	KW			
MK 1	11A	5.5	7.5	SS95200	855	10

For Overload Relays type MK1 please refer page no. 26

SPARES

Spare Contact Kit and Spare Coil

Type	Spare Contact kit		Spare Coil	
	Cat. No.	M.R.P. (₹) Per Unit	Cat. No.	M.R.P. (₹) Per Unit
MO 9	CS96380	480	CS96317	390
MO 12	CS96381	620		
MO 18	CS96382	680		
MO 25	CS96383	700		
MO 32	CS96384	1155		
MO 40	CS96385	1560		
MO 45	CS96386	2055	CS96318	1055
MO 50	CS96387	2200		
MO 60	CS96388	2400		
MO 70	CS96389	2895		
MO 80	CS96390	3365	CS96319	1365
MO 95	CS96391	3610		
MO 110	CS96392	4205		
MNX 9	CS94123	480	CS94105	390
MNX 12	CS94124	620		
MNX 18	CS94125	680		
MNX 22	CS94269	690		
MNX 25	CS94127	700		
MNX 32	CS94128	1155		
MNX 40	CS94147	1560	CS94192	1055
MNX 45	CS94149	2055		
MNX 50	CS94150	2220		
MNX 70	CS94151	2895		
MNX 80	CS94152	3365		
MNX 95	CS94153	3610		
MNX 110	CS94154	4205	CS94196	1365
MNX 140	CS94155	5265	CS94194	2775
MNX 185	CS94156	9200		
MNX 225	CS94157	11855	CS94195	3185
MNX 265	CS94159	12490		
MNX 325	CS94160	16705		
MNX 400	CS94161	19300	CS94193	12420
MNX 550	CS94162	29970		
MNX 650	CS96336	31000		
MCX 01 - 04	-	-		
MCX 11	CS94077	1335	CS94009	391
MCX 12	CS94078	1955	CS94192	1055
MCX 21	CS94330	3230		
MCX 22	CS94331	3725		
MCX 31	CS94081	5400		
MCX 32	CS94082	5565		
MCX 33	CS94083	6750		
MCX 34	CS94084	7470	CS94196	1365
MCX 41	CS94295	16185		
MCX 42	CS94296	21365		
MCX 43	CS94297	23035	CS94195	3185
MCX 44	CS94298	25160		
MCX 45	CS94299	31645		
MCX 46	CS94300	35700	CS94193	12420

Type	Spare Contact kit		Spare Coil	
	Cat. No.	M.R.P. (₹) Per Unit	Cat. No.	M.R.P. (₹) Per Unit
MU 1	CS94010	479	CS94009	391
MU 2	CS94011	781		
ML 0	SS95301	670	SS90873	520
ML 1	SS95303	835		
ML 1.5	SS95305	1245		
ML 2	SS95307	1820	SS90545	765
ML 3	SS95309	2925		
ML 4	SS95311	4740	SS91258	1465
ML 6	SS95313	8175		
ML 10	SS95315	15315	SS91011	3215
ML 12	SS95317	20385		
MN 0 ac			SS94191	355
MN 0 dc			SS94651	650

Front housing and moving bridge kit

Type	Cat. No.	M.R.P. (₹) Per Unit
ML 0	ST28732	310
ML 1	ST28733	310
ML 1.5	ST28734	310
ML 2/ ML 3	ST23866	430
ML 4/ ML 6	ST28735	790

Combination coil with timer

Type	Cat. No.	M.R.P. (₹) Per Unit
ML 2	SS90650	1510

Table B

Ordering suffix for coil voltages			
AC Control		DC Control*	
Voltage (V)	Suffix	Voltage (V)	Suffix
24	G000	24	4000
42	H000	48	5000
48	J000	110	1000
110	A000	220	2000
220	K000		
230	N000		
240	B000		
220 / 240	Q000		
320	R000		
360	C000		
380	L000		
415	D000		
440	P000		
525	M000		

Note:
* for MX & MN0 only

BIMETAL OVERLOAD RELAYS

Type MX-R0 with single phasing protection

Type of Mounting (Operation)	Relay Range (A)	Cat. No.	M.R.P. (₹) Per Unit	Std. Pkg. (Nos.)
(Directly Operated)	0.1 - 0.16	ST94074O0BO	900	10
	0.16 - 0.24	ST94074O0DO	900	10
	0.22 - 0.33	ST94074O0EO	900	10
	0.3 - 0.45	ST94074O0GO	900	10
	0.45 - 0.67	ST94074O0HO	900	10
Direct Mounting on MX Range	0.67 - 1.0	ST94074O0KO	900	10
	1.0 - 1.5	ST94074O0MO	900	10
	1.4 - 2.1	ST94074O0NO	900	10
	1.8 - 2.7	ST94074O0PO	900	10
	2.4 - 3.6	ST94074O0QO	900	10
	3.5 - 5	ST94074O0SO	900	10
	4.0 - 6.0	ST94074O0TO	900	10
	5.5 - 8.5	ST94074O0UO	900	10
	8.5 - 12.5	ST94074O0VO	900	10

Type MN with single phasing protection

Type of Mounting (Operation)	Relay Range (A)	Cat. No.	M.R.P. (₹) Per Unit	Std. Pkg. (Nos.)
(Directly Operated)	MN 2			
	0.2 - 0.33	SS94141O0EO	1100	10
	0.3 - 0.5	SS94141O0GO	1100	10
	0.45 - 0.75	SS94141O0JO	1100	10
	0.6 - 1	SS94141O0KO	1100	10
Direct mounting on MNX 9/ MNX 12/ MNX 18/ MNX 22/ MNX 25/ MNX 32/ MNX 40	0.9 - 1.5	SS94141O0MO	1100	10
	1.4 - 2.3	SS94141O0PO	1100	10
	2 - 3.3	SS94141O0QO	1100	10
	3 - 5	SS94141O0SO	1100	10
	4.5 - 7.5	SS94141O0UO	1100	10
	6 - 10	SS94142O0VO	1100	10
	9 - 15	SS94142O0BO	1100	10
	14 - 23	SS94144O0DO	1190	10
	20 - 33	SS94145O0EO	1500	10
	24 - 40	SS94145O0FO	1500	10
(Directly Operated)	MN 5			
	20 - 33	SS94136O0EO	1890	10
	30 - 50	SS94136O0GO	2025	10
Direct Mounting	45 - 75	SS94137O0JO	3000	10
	66 - 110	SS94137O0KO	3000	10
(CT Operated)	MN 12			
	42 - 69	SS94138O0HO	6000	1
	60 - 100	SS94138O0KO	6000	1
	90 - 150	SS94138O0MO	6000	1
	135 - 225	SS94138O0PO	6000	1
	180 - 300	SS94139O0QO	6800	1
(CT Operated)	MN 12L #			
	42 - 69	SS94127O0HO	7450	1
	60 - 100	SS94127O0KO	7450	1
	90 - 150	SS94127O0MO	7450	1
	135 - 225	SS94127O0PO	7450	1
	180 - 300	SS94127O0QO	7450	1
	340 - 570	SS94127O0SO	7450	1

For motors with longer starting time

Type ML

Type of Mounting (Operation)	Relay Range (A)	Cat. No.	M.R.P. (₹) Per Unit	Std. Pkg. (Nos.)
(Directly Operated)	ML 0 / ML 1 / ML 1.5			
	0.15 - 0.25	SS91858O0DO	1230	10
	0.25 - 0.4	SS91858O0FO	1230	10
	0.4 - 0.65	SS91858O0HO	1230	10
	0.6 - 1	SS91858O0KO	1230	10
	1 - 1.6	SS91858O0MO	1230	10
	1.5 - 2.5	SS91858O0PO	1230	10
	2.5 - 4	SS91858O0RO	1230	10
	4 - 6.5	SS91858O0TO	1230	10
	6 - 10	SS91858O0VO	1230	10
(Directly Operated)	ML 2 / ML 3			
	9 - 14	SS91859O0AO	1825	2
	13 - 21	SS91859O0CO	1825	2
	20 - 32	SS91859O0EO	1825	2
Directly Mounting	28 - 42	SS91859O0FO	1825	2

Type MK1

Type of Mounting (Operation)	Relay Range (A)	Cat. No.	M.R.P. (₹) Per Unit	Std. Pkg. (Nos.)
(Directly Operated)	0.15 - 0.25	SS90035O0DO	650	10
	0.25 - 0.4	SS90035O0FO	650	10
	0.4 - 0.65	SS90035O0HO	650	10
	0.6 - 1	SS90035O0KO	650	10
	1 - 1.6	SS90035O0MO	650	10
	1.5 - 2.5	SS90035O0PO	650	10
Direct Mounting	2.5 - 4	SS90035O0RO	650	10
	4 - 6.5	SS90035O0TO	650	10
	6 - 10	SS90035O0VO	650	10
	9 - 14	SS90035O0AO	650	10
	11 - 18	SS90036O0CO	650	10
	13 - 22	SS91888O0DO	710	10

Type MU

Type of Mounting (Operation)	Relay Range (A)	Cat. No.	M.R.P. (₹) Per Unit	Std. Pkg. (Nos.)
Direct Mounting	MU1			
	4 - 6.5	SS96557O0TO	975	10
	6 - 10	SS96557O0VO	975	10
(Directly Operated)	9 - 14	SS95979O0AO	1475	10
	13 - 21	SS95979O0CO	1475	10
	20 - 32	SS95979O0EO	1475	10
	28 - 42	SS95979O0FO	1475	10

Accessories for Bimetal Overload Relays

Description	Cat. No.	M.R.P. (₹) Per Unit	Std. Pkg. (Nos.)
Push button unit for MK 1 / ML Relays	SS90004	108	20
Push button unit for MN Relays	SS94001	120	20
Push button extn. unit for MN 2 Relays	SS94968	15	100
Kit for Mounting MN 2 relay on ML 0 / 1 / 1.5 contactor	SS94701	80	50
Kit for Mounting MN 2 relay separately (Direct Mounting Type)	SS94700	80	50
Kit for Mounting MN 5 relay on MNX 95 / 110 / 140 contactor	SS94638	100	20
Kit for Mounting MN 5 relay on ML 2 / ML 3 contactor	SS94151	100	20
Kit for Mounting MN5 relay on ML 4 / ML 6 contactor	SS94152	130	20
DIN Rail Mounting Kit relay on MN 2 Relay	SS91887	50	50

Relay Reset Cord For MN2 Relay

Description	Cat. No.	M.R.P. (₹) Per Unit	Std. Pkg. (Nos.)
MN2 Relay reset cord - 400mm	SB942070000	400	1
MN2 Relay reset cord - 650mm	SB942080000	420	1
MN2 Relay reset cord - 900mm	SB942090000	460	1
MN2 Relay reset cord - 1200mm	SB942100000	520	1

TIMERS

Electronic Timers Type ET 100

Description	Cat. No.	M.R.P. (₹) Per Unit	Std. Pkg. (Nos.)
110 / 240V, 50Hz for			
3 - 10 secs.	SE92001	2280	1
9 - 30 secs.	SE92002	2280	1
36 - 120 secs.	SE92003	2280	1
240 / 360 / 415V[#], 50Hz for			
3 - 10 secs.	SE92005	2280	1
9 - 30 secs.	SE92006	2280	1
36 - 120 secs.	SE92007	2280	1

360V tap can be used for 240V connections

Thermal Timers Type GT 200

Description	Cat. No.	M.R.P. (₹) Per Unit	Std. Pkg. (Nos.)
Operating Voltages: 230 / 250V, 360V, 400 / 440V, 500V, 50 Hz for 5 - 18 secs. range	SS91270	1730	1

To order a Timer, please specify Type & Cat. No.

CONTROL ACCESSORIES

Actuator Units Type TK3

6A, 415V, 50 Hz (Suitable for 30.5mm Cutout Dia.)

Description	Cat. No.	M.R.P. (₹) Per Unit	Std. Pkg. (Nos.)
Selector actuator - 2 position (black only)	SS91516	305	30
Selector actuator - 3 position (black only)	SS91517	305	30
Mushroom push button actuator (red, green or black)	SS91518	185	30
Shrouded push button actuator (red, black, green, yellow, blue or grey)	SS91519	130	30
Unshrouded push button actuator (red, black, green, yellow, blue or grey)	SS91520	130	30
Key actuator - lockable in 1 position	SS91522	410	30
Key actuator - lockable in both positions	SS91521	410	30
Element with 2 fixing screws	SS90375	150	100

Push Button Pendants

6A, 415V, 50 Hz

Description	Cat. No.	M.R.P. (₹) Per Unit	Std. Pkg. (Nos.)
With 2 push buttons	SS90502	710	30
With 4 push buttons	SS90504	1325	30
With 6 push buttons	SS90506	1780	30

Ordering Suffix for Colour

Black	OAOO
Red	OBOO
Green	OCOO
Yellow	ODOO
Blue	OEOO
Grey	OFOO

To order Control Accessories, please specify Type, Cat. No. and Ordering Suffix for Colour.

MOTOR PROTECTION CIRCUIT BREAKERS

Type MOG-S1 (Rocker Type)

(ROM cannot be fitted with MOG - S1)
With short circuit & overload protection

Rating (A)	Recommended Motor Rating at 415V, 50Hz (KW)	Thermal Release range (A)	Cat. No.	M.R.P. (₹) Per Unit	Std. Pkg. (Nos.)
0.16	-	0.1 - 0.16	ST418890000	1995	1
0.25	0.06	0.16 - 0.25	ST418900000	1995	1
0.40	0.09	0.25 - 0.40	ST418910000	1995	1
0.63	0.12	0.40 - 0.63	ST418920000	2080	1
1.00	0.25	0.63 - 1.00	ST418930000	2080	1
1.60	0.55	1.00 - 1.60	ST418940000	2080	1
2.50	0.75	1.60 - 2.50	ST418950000	2080	1
4.00	1.50	2.50 - 4.00	ST418960000	2185	1
6.30	2.20	4.00 - 6.30	ST418970000	2220	1
10.00	4.00	6.30 - 10.00	ST418980000	2285	1
13.00	5.40	9.00 - 13.00	ST418990000	2430	1

Breaking capacity : Icu = 100kA upto 10A & Icu = 50kA for 13A

Type MOG-H1 (Rotary Type) - Frame 1

With short circuit & overload protection

Rating (A)	Recommended Motor Rating at 415V, 50Hz (KW)	Thermal Release range (A)	Cat. No.	M.R.P. (₹) Per Unit	Std. Pkg. (Nos.)
0.16	-	0.1 - 0.16	ST419040000	2455	1
0.25	0.06	0.16 - 0.25	ST419050000	2455	1
0.40	0.09	0.25 - 0.40	ST419060000	2455	1
0.63	0.12	0.40 - 0.63	ST419070000	2645	1
1.00	0.25	0.63 - 1.00	ST419080000	2645	1
1.60	0.55	1.00 - 1.60	ST419090000	2835	1
2.50	0.75	1.60 - 2.50	ST419100000	2835	1
4.00	1.50	2.50 - 4.00	ST419110000	2835	1
6.30	2.20	4.00 - 6.30	ST419120000	2835	1
10.00	4.00	6.30 - 10.00	ST419130000	2970	1
13.00	5.40	9.00 - 13.00	ST419140000	3080	1
16.00	7.50	11.00 - 16.00	ST419150000	3400	1
20.00	9.00	14.00 - 20.00	ST419160000	3670	1
25.00	12.50	19.00 - 25.00	ST419170000	3995	1
32.00	15.00	24.00 - 32.00	ST419180000	6235	1

Breaking capacity : Icu = 100kA upto 13A & Icu = 50kA from 16A - 32A

Type MOG-H2 (Rotary Type) - Frame 2

With short circuit & overload protection

Rating (A)	Recommended Motor Rating at 415V, 50Hz (KW)	Thermal Release range (A)	Cat. No.	M.R.P. (₹) Per Unit	Std. Pkg. (Nos.)
32.00	15.00	24.00 - 32.00	ST419190000	8800	1
40.00	20.00	28.00 - 40.00	ST419200000	8910	1
50.00	25.00	35.00 - 50.00	ST419210000	9235	1
63.00	34.00	45.00 - 63.00	ST419220000	9830	1

Breaking capacity : Icu = 50kA from 32A - 63A

Type MOG-H1M (Rotary Type) - Frame 1

With short circuit protection only

Rating (A)	Recommended Motor Rating at 415V, 50Hz (KW)	Short Circuit Release (A)	Cat. No.	M.R.P. (₹) Per Unit	Std. Pkg. (Nos.)
0.16	-	0.16	ST419230000	1860	1
0.25	0.06	0.25	ST419240000	1860	1
0.40	0.09	0.40	ST419250000	1860	1
0.63	0.12	0.63	ST419260000	2625	1
1.00	0.25	1.00	ST419270000	2625	1
1.60	0.55	1.60	ST419280000	2625	1
2.50	0.75	2.50	ST419290000	2625	1
4.00	1.50	4.00	ST419300000	2745	1
6.30	2.20	6.30	ST419310000	2745	1
10.00	4.00	10.00	ST419320000	2860	1
13.00	5.40	13.00	ST419330000	2970	1
16.00	7.50	16.00	ST419340000	3050	1
20.00	9.00	20.00	ST419350000	3300	1
25.00	12.50	25.00	ST419360000	3915	1
32.00	15.00	32.00	ST419370000	5200	1

Breaking capacity : Icu = 100kA upto 13A & Icu = 50kA from 16A - 32A

Type MOG-H2M (Rotary Type) - Frame 2

With short circuit protection only

Rating (A)	Recommended Motor Rating at 415V, 50Hz (KW)	Short Circuit Release (A)	Cat. No.	M.R.P. (₹) Per Unit	Std. Pkg. (Nos.)
32.00	15.00	32.00	ST419380000	7200	1
40.00	20.00	40.00	ST419390000	7200	1
50.00	25.00	50.00	ST419400000	8425	1
63.00	34.00	63.00	ST419410000	8425	1

Breaking capacity : Icu = 50kA from 32A - 63A

Accessories for MOG

Description	Cat. No.	M.R.P. (₹) Per Unit	Std. Pkg. (Nos.)
Auxiliary Contact Front mtg. 1NO	ST419420000	430	1
Auxiliary Contact Front mtg. 1NC	ST419430000	430	1
Auxiliary Contact Left side mtg. 2NO	ST419440000	515	1
Auxiliary Contact Left side mtg. 1NO + 1NC	ST419450000	515	1
Auxiliary Contact Left side mtg. 2NC	ST419460000	515	1
Trip Alarm Contact Front mtg. 1NO	ST419470000	650	1
Trip Alarm Contact Front mtg. 1NC	ST419480000	650	1
Auxiliary + Alarm Left side mtg. 2NO	ST419490000	730	1
Short circuit alarm Left side mtg. 1NO + 1NC	ST419500000	730	1
Shunt trip 24V DC	ST419510000	1190	1
Shunt trip 110V, 50Hz	ST419520000	1190	1
Shunt trip 230V, 50Hz	ST429520000	1190	1
Under Voltage release, 110V, 50Hz	ST419530000	1190	1
Under Voltage release, 415V, 50Hz	ST419540000	1190	1
External operating handle, (Black) Frame 1	ST419550000	890	1
External operating handle, (Black) Frame 2	ST419560000	890	1

MOTOR STARTERS

Direct-on-Line Starters

in Sheet-Steel Enclosure Type MF, MK, ML, MU & MB
(Motor Rating AC-3 Duty, 415V, 50Hz, 3-Ph)

Max. Motor Output at 415V, 3-Ph		Relay Max. Range (A)	Description	Cat. No.	M.R.P. (₹) Per Unit	Std. Pkg. (Nos.)
HP	kW					
2.0	1.5	12 - 20	MF1-1 Phase	SS97227	708	1
7.5	5.5	9 - 15	MF1-3 Phase	SS97210	956	1
7.5	5.5	9 - 14	MK1 DOL	SS96210	1530	1
7.5	5.5	11 - 18	MK1 DOL	SS96211	1530	1
7.5	5.5	13 - 22	MK1 DOL	SS96228	1600	1
10.0	7.5	13 - 21	MU1 DOL #	SS95647	2560	1
10.0	7.5	14 - 23	MB1 DOL #	SS95649	2500	1
15.0	11.0	20 - 32	MU2 DOL #	SS95648	3350	1
15.0	11.0	20 - 33	MB2 DOL #	SS95650	3370	1

Direct-on-Line Starters

in Sheet-Steel Enclosure Type MN with SPP feature
(Motor Rating AC-3 Duty, 415V, 50Hz, 3-Ph)

Max. Motor Output at 415V, 3-Ph		Relay Max. Range (A)	Description	Cat. No.	M.R.P. (₹) Per Unit	Std. Pkg. (Nos.)
HP	kW					
10.0	8.0	9 - 15	MN 16 DOL	SS94351	2400	1
15.0	11.0	14 - 23	MN 25 DOL	SS94352	3685	1
20.0	15.0	20 - 33	MN 32 DOL	SS94353	6610	1
30.0	23.0	30 - 50	MN 45 DOL	SS94017	9805	1
45.0	34.0	45 - 75	MN 65 DOL	SS94018	13780	1
15.0	11.0	20 - 32	ML 1.5 DOL [®]	SS91854	3645	1
20.0	15.0	20 - 32	ML 2 DOL	SS90702	6072	1
30.0	22.5	28 - 42	ML 3 DOL	SS90722	9805	1

@ Available till stocks last

Semi-Automatic Star-Delta Motor Starters

in Sheet-Steel Enclosure Type MK, MU & MB
(Motor Rating AC-3 Duty, 415V, 50Hz, 3-Ph)

Max. Motor Output at 415V, 3-Ph		Relay Max. Range (A)	Description	Cat. No.	M.R.P. (₹) Per Unit	Std. Pkg. (Nos.)
HP	kW					
12.5	9.3	9 - 14	MK1 SASD	SS96255	5000	1
15.0	11.0	11 - 18	MK1 SASD	SS96258	5000	1
15.0	11.0	13 - 22	MK1 SASD	SS96260	5040	1
15.0	11.0	13 - 21	MU1 SASD #	SS95891	6850	1
15.0	11.0	14 - 23	MB1 SASD #	SS95895	7780	1
30.0	22.5	20 - 32	MU2 SASD #	SS95893	8330	1
30.0	22.5	20 - 33	MB2 SASD #	SS95897	9120	1

Semi-Automatic Star-Delta Motor Starters

in Sheet-Steel Enclosure Type ML
(Motor Rating AC-3 Duty, 415V, 50Hz, 3-Ph)

Max. Motor Output at 415V, 3-Ph		Relay Max. Range (A)	Description	Cat. No.	M.R.P. (₹) Per Unit	Std. Pkg. (Nos.)
HP	kW					
25.0	19.0	13 - 21	ML1.5 SASD [®]	SS91856	8392	1
35.0	26.0	20 - 32	ML2 SASD	SS90707	14673	1

@ Available till stocks last

Fully Automatic Star-Delta Motor Starters

in Sheet-Steel Enclosure Type MN with SPP feature
(Motor Rating AC-3 Duty, 415V, 50Hz, 3-Ph)

Max. Motor Output at 415V, 3-Ph		Relay Max. Range (A)	Description	Cat. No.	M.R.P. (₹) Per Unit	Std. Pkg. (Nos.)
HP	kW					
15.0	11.0	9 - 15	MN 16 FASD	SS94362	8070	1
25.0	19.0	14 - 23	MN 25 FASD	SS94364	9180	1
35.0	26.0	20 - 33	MN 32 FASD	SS94366	16550	1
50.0	37.0	30 - 50	MN 45 FASD	SS94021	22950	1
75.0	55.0	45 - 75	MN 65 FASD	SS94022	39645	1
90.0	68.0	45 - 75	MN 80 FASD	SS94705	42840	1
125.0	90.0	66 - 110	MN 110 FASD	SS94706	55630	1
175.0	130.0	90 - 150	MN 140 FASD	SS94707	59110	1

Fully-Automatic Star-Delta Motor Starters

in Sheet-Steel Enclosure Type MK, ML, MU & MB
(Motor Rating AC-3 Duty, 415V, 50Hz, 3Ph)

Max. Motor Output at 415V, 3-Ph		Relay Max. Range (A)	Description	Cat. No.	M.R.P. (₹) Per Unit	Std. Pkg. (Nos.)
HP	kW					
12.5	9.3	9 - 14	MK1 FASD	SS96254	5700	1
15.0	11.0	11 - 18	MK1 FASD	SS96257	5730	1
15.0	11.0	13 - 22	MK1 FASD	SS96259	5780	1
15.0	11.0	13 - 21	MU1 FASD#	SS95890	7600	1
15.0	11.0	14 - 23	MB1 FASD	SS95894	8120	1
30.0	22.0	20 - 32	MU2 FASD#	SS95892	9000	1
30.0	22.0	20 - 33	MB2 FASD#	SS95896	9230	1

Max. Motor Output at 415V, 3-Ph		Relay Max. Range (A)	Description	Cat. No.	M.R.P. (₹) Per Unit	Std. Pkg. (Nos.)
HP	kW					
25.0	18.5	13 - 21	ML1.5 FASD [®]	SS91855	9520	1
35.0	26.0	20 - 32	ML2 FASD	SS90705	15120	1
50.0	37.0	28 - 42	ML3 FASD	SS90730	23640	1
75.0	55.0	45 - 75	ML4 FASD	SS90913	40335	1
125.0	90.0	66 - 110	ML6 FASD	SS90923	66060	1
250.0	180.0	135 - 225	ML10 FASD [®]	SS90938	104305	1
400.0	300.0	180 - 300	ML12 FASD [®]	SS91019	118210	1

@ Available till stocks last

Single Phase Motor Starters (Coil operated)

Max. Motor Output at 415V, 3-Ph		Relay Max. Range (A)	Description	Cat. No.	M.R.P. (₹) Per Unit	Std. Pkg. (Nos.)
HP	kW					
0.5	0.37	4 - 6.5	MHO	ST37491	840	1
1.0	0.75	6 - 10	MHO	ST37491	840	1

#Note: Type MU1 / MU2 consists of type MU Relay + MU1 / MU2 Contactor
Type MB1 / MB2 consists of type MN Relay + MU1 / MU2 Contactor

For Ordering Suffix of MK1 / MU / MB / ML / MN starters please refer table C on page no. 30

MOTOR STARTERS

Submersible Pump Starters In Sheet Steel Enclosure Type MRG, MFG

Description	HP	Relay Range (A)	Cat. No.	M.R.P. (₹) Per Unit	Std. Pkg. (Nos.)
Type MRG 2 For Single Phase Motors	0.5	6 - 10	SS96988	*	1
	1.0	11 - 18	SS96560	*	
	1.5	13 - 22	SS96989	*	1
	2.0	13 - 22	SS96990	*	
Type MFG 1 For Single Phase Motors	0.5	6.5 - 11	SS97734	*	1
	1.0	12 - 20	SS97736	*	1
	1.5	12 - 20	SS97737	*	1
	2.0	12 - 20	SS97738	*	1

* Prices on Request

Submersible Pump Starters In Sheet Enclosure Type MUG (Motor Rating AC-3 Duty, 415V, 50Hz, 3 phase)

Description	HP	Relay Range (A)	Cat. No.	M.R.P. (₹) Per Unit	Std. Pkg. (Nos.)
MUG20 Fully Automatic Star - Delta Starter #	20	13 - 21	SS95984	9240	1
		20 - 32	SS96985	9734	1
MUG20H Fully Automatic Star - Delta Starter #	20	28 - 42	SS95975	11865	1
MUG30 Fully Automatic Star - Delta Starter	30	20 - 33	CS96008	17588	1
		30 - 50	CS96008	17588	1
MUG50 Fully Automatic Star - Delta Starter	50	30 - 50	CS96009	25725	1
		45 - 75	CS96009	25725	1

Also available with lower Relay Ranges

Spares for MN Starters

Description	Cat. No.	M.R.P. (₹) Per Unit	Std. Pkg. (Nos.)
Bracket for Mounting cont. MNX 25 - 32	SS940300000	60	20

Spares for Starters Type MK / MUG Controllers

Description	Cat. No.	M.R.P. (₹) Per Unit	Std. Pkg. (Nos.)
Single Moving Contact	SS91009	34	10
Std. Operating coils			
400 / 440V, 50Hz	SS90047	178	10
360V, 50Hz	SS90165	178	10
320V, 50Hz	SS90166	178	10
230V, 50Hz	SS90045	178	10
220V, 50Hz	SS90044	178	10
110V, 50Hz	SS90043	178	10
Auxiliary contact block: 1 NO + 1 NC	SS90120	246	50
Spare kit without coil	SS90983	370	50
Thermal timer without combination coil	SS90224	695	4
Combination coils			
Combination coils for 400 / 440V, 50Hz	SS90443	457	10
Combination coils for 230V, 50Hz	SS90444	457	10
Combination coils for 380V, 50Hz	SS90445	457	10
Combination coils for 360V, 50Hz	SS90446	457	10
Push Button Unit	SS90004	108	100
Arc Shield	SS50004	114	100
Contact bridge without Contacts	SS50005	107	100
SPPR-z5 360V	CS94801C000	1073	1
SPPR-z5 415V	CS94801D000	1073	1

Submersible Pump Starters In Sheet Enclosure Type MUG (Motor Rating AC-3 Duty, 415V, 50Hz, 3 phase)

Description	HP	Relay Range (A)	Cat. No.	M.R.P. (₹) Per Unit	Std. Pkg. (Nos.)
MUG6 DOL Starter #	6	9 - 14	SS97756	4200	1
MUG10 DOL Starter #	10	13 - 21	SS95983	4778	1
MUG10H DOL Starter #	10	28 - 42	SS95974	5408	1

Also available with lower Relay Ranges

Table C

Ordering Suffix for MK1 / MU / MB / ML / MN Starters					
Coil Voltage	Relay Range (A)				
	MK1	MU	MB	ML	MN
B - 240V	V - 6-10	A - 9-14	B - 9-15	A - 9-14	B - 14-23
C - 360V	A - 9-14	C - 13-21	D - 14-23	B - 10-16	E - 20-33
L - 380V	C - 11-18	E - 20-32	E - 20-33	C - 13-21	G - 30-50
D - 415V	D - 13-22			E - 20-32	J - 45-75
P - 440V					K - 66-110

SPARES

Description	Cat. No.	M.R.P. (₹) Per Unit
Sz5 SPPR 380V AC (6 wires)	CS94824L000	560
Sz5 SPPR 380V AC (7 wires)	ST921660000	560

DIGITAL SOFT STARTERS

CSX Soft Starters

Motor kW	Cat. No.	M.R.P. (₹) Per Unit
7.5	CSX0007V4C1	23500
15	CSX0015V4C1	24900
18	CSX0018V4C1	25800
22	CSX0022V4C1	30400
30	CSX0030V4C1	34300
37	CSX0037V4C1	39300
45	CSX0045V4C1	44700
55	CSX0055V4C1	48900
75	CSX0075V4C1	66300
90	CSX0090V4C1	72400
110	CSX0110V4C1	79500

CSXi Soft Starters

Motor kW	Cat. No.	M.R.P. (₹) Per Unit
7.5	CSXi007V4C1	34000
15	CSXi015V4C1	39400
18	CSXi018V4C1	41500
22	CSXi022V4C1	44300
30	CSXi030V4C1	49300
37	CSXi037V4C1	53900
45	CSXi045V4C1	65000
55	CSXi055V4C1	71100
75	CSXi075V4C1	83100
90	CSXi090V4C1	104100
110	CSXi110V4C1	115900

CSX Soft Starters : For Standard Applications

- Inbuilt Bypass Contactor
- Soft Start / Soft Stop
- Compact
- Truly plug & play

CSXi Soft Starters : For Standard Applications

- Inbuilt Bypass Contactor
- Soft Start / Soft Stop / Adjustable Current Limit
- Essential motor protections against
 - Overload
 - Single phasing
 - Phase sequence reversal
 - Abnormality in supply
 - Unbalanced current
- Thermistor protection through PTC
- Excess start time setting
- PC Interface as optional

EMX3 Soft Starters : For Heavy Duty Applications

- Ratings from 23 to 1600A
- Control Voltage from 94Vdc to 484Vdc
- Constant Current / Adaptive acceleration start
- Constant Current / Adaptive de-acceleration for smooth stop
- Forward / Reverse Jog
- Comprehensive motor protection
- Large LCD Keypad
- Detachable built-in Real time clock
- Auto Start / stop
- 2 motor data sets
- Fully programmable overload trip
- 5 digital inputs, 4 digital outputs, 1 analog output
- Built-in RTD & Thermistor inputs
- 99 event logs with time stamping
- Power through operation allows to run soft starter even with one of shorted SCR

Optional Modules / Cards for CSX / CSXi / EMX3

Description	Cat. No.	M.R.P. (₹) Per Unit
Modbus Module	PIMMB01	10900
Profibus Module	PIMPB01	17000
Device Net Module	PIMDN01	13600
EMX3 RTD/Ground Fault Expansion Card	995-04804-00	13600
EMX3 I/O Expansion Card	995-04803-00	8500

EMX3 Soft Starters

Suitable for motor kW	Motor Amps	Suitable for Motor kW	Motor Amps	EMX3 Cat. No.	M.R.P. (₹) Per Unit	Bypass Contactor
3 Wire (in-line) Connection		6 Wire (inside delta) Connection				
7.5 / 11	23	15	35	EMX30023B411	56000	Built - In
15 / 18.5	43	18.5	65	EMX30043B411	60000	
22	53	22 / 30	75	EMX30053B411	70000	
30 / 37	76	45	105	EMX30076B411	75000	
45	97	55	135	EMX30097B411	80000	
55	105	75	155	EMX30105B411	95000	
75	145	90	205	EMX30145B411	110000	
90	170	110	240	EMX30170B411	125000	
110	220	132	330	EMX30220B411	131000	
132	255	160 / 185	365	EMX30255C411	145000	
160 / 185	360	220 / 250	540	EMX30360C411	154000	
220	400	300 / 315	645	EMX30430C411	233000	
250 / 300 / 315	620	355 / 400	930	EMX30620C411	240000	
355	650	450	975	EMX30650C411	255000	
400 / 450	790	600	1185	EMX30790C411	310000	
500	930	700	1395	EMX30930C411	390000	
600	1200	800	1800	EMX31200C411	600000	
700	1410	1000	2115	EMX31410C411	720000	
800	1600	1200	2400	EMX31600C411	800000	

Note : Above EMX3 selection is as per AC53b:3.0-10:350 category considering ambient of 45°C
For Heavy Duty or application specific selection L&T recommends use of WINSTART selection software

PROGRAMMABLE LOGIC CONTROLLER (PLC)

- Compact & Powerful
- LX7S from 10 to 48 I/O
- LX7 from 28 to 104 I/O
- 2 serial ports (with Modbus RTU)
- Built-in backup flash memory
- Built-in High speed counter & Pulse Output
- Built-in real time clock in LX7
- Ideal for small to mid size machine automation / AMF panels / Load management / pump control and many more applications
- Can communicate with ACB, MCCB Releases, Energy Meters

Type	Cat. No.	Description	M.R.P. (₹) Per Unit
LX7S Series (Non Expandable PLC)	LX7S-10ADR	AC Powered, 6 Digital Inputs, 4 Digital Outputs (Relay)	9500
	LX7S-10ADT	AC Powered, 6 Digital Inputs, 4 Digital Outputs (Transistor)	9300
	LX7S-14ADR	AC Powered, 8 Digital Inputs, 6 Digital Outputs (Relay)	11200
	LX7S-14ADT	AC Powered, 8 Digital Inputs, 6 Digital Outputs (Transistor)	10900
	LX7S-20ADR	AC Powered, 12 Digital Inputs, 8 Digital Outputs (Relay)	13700
	LX7S-20ADT	AC Powered, 12 Digital Inputs, 8 Digital Outputs (Transistor)	13300
	LX7S-28ADR	AC Powered, 16 Digital Inputs, 12 Digital Outputs (Relay)	16500
	LX7S-28ADT	AC Powered, 16 Digital Inputs, 12 Digital Outputs (Transistor)	16100
	LX7S-40ADR	AC Powered, 24 Digital Inputs, 16 Digital Outputs (Relay)	20700
	LX7S-40ADT	AC Powered, 24 Digital Inputs, 16 Digital Outputs (Transistor)	20100
	LX7S-48ADR	AC Powered, 28 Digital Inputs, 20 Digital Outputs (Relay)	22900
	LX7S-48ADT	AC Powered, 28 Digital Inputs, 20 Digital Outputs (Transistor)	22200
	LX7S-10DDR	DC Powered, 6 Digital Inputs, 4 Digital Outputs (Relay)	9500
	LX7S-10DDT	DC Powered, 6 Digital Inputs, 4 Digital Outputs (Transistor)	9300
	LX7S-14DDR	DC Powered, 8 Digital Inputs, 6 Digital Outputs (Relay)	11200
	LX7S-14DDT	DC Powered, 8 Digital Inputs, 6 Digital Outputs (Transistor)	10900
LX7 Series (Expandable PLC)	Base Modules		
	LX7-28ADR	AC Powered, 16 Digital Inputs, 12 Digital Outputs (Relay)	21252
	LX7-28ADT	AC Powered, 16 Digital Inputs, 12 Digital Outputs (Transistor)	20066
	LX7-48ADR	AC Powered, 28 Digital Inputs, 20 Digital Outputs (Relay)	31510
	LX7-48ADT	AC Powered, 28 Digital Inputs, 20 Digital Outputs (Transistor)	29298
	LX7-28DDR	DC Powered, 16 Digital Inputs, 12 Digital Outputs (Relay)	21922
	LX7-28DDT	DC Powered, 16 Digital Inputs, 12 Digital Outputs (Transistor)	20608
	LX7-48DDR	DC Powered, 28 Digital Inputs, 20 Digital Outputs (Relay)	33270
	LX7-48DDT	DC Powered, 28 Digital Inputs, 20 Digital Outputs (Transistor)	30722
	LX7-20ADR-4A	AC Powered, 12 Digital Inputs, 8 Digital Outputs (Relay), 4 Analog Inputs	24900
	LX7-20ADR-6A	AC Powered, 12 Digital Inputs, 8 Digital Outputs (Relay), 4 Analog Inputs, 2 Analog Outputs	29500
	LX7-20ADT-4A	AC Powered, 12 Digital Inputs, 8 Digital Outputs (Transistor), 4 Analog Inputs	24400
	LX7-20ADT-6A	AC Powered, 12 Digital Inputs, 8 Digital Outputs (Transistor), 4 Analog Inputs, 2 Analog Outputs	28800
	Expansion Modules		
	LX7-14EDR	Expansion Module, 8 Digital Inputs, 6 Digital Outputs (Relay)	10400
	LX7-14EDT	Expansion Module, 8 Digital Inputs, 6 Digital Outputs (Transistor)	10100
LX7-28EDR	Expansion Module, 16 Digital Inputs, 12 Digital Outputs (Relay)	14300	
LX7-28EDT	Expansion Module, 16 Digital Inputs, 12 Digital Outputs (Transistor)	13900	

LX 70 Series PLC:

- Modular structure with variety of I/O modules
- Fast & powerful processors to control upto 384 I/O points
- Built-in PID for process control

LX 700 Series PLC:

- Modular structure with high density I/O modules
- Fast & powerful processors to control upto 1600 I/O points
- Distributed I/O configuration using Remote I/O master & slave

Lμ1000 PROGRAMMABLE SMART RELAY

- On board Programming / editing LCD screen and function keys
- LCD screen can be used as an HMI for data entry as well as for viewing alarms
- A power packed compact unit with Timers, Counters, Analog Comparalors, Text Display, Time Switches and many more
- Expandable upto 48 I/O with 3 Expansion Units
- Programming upto 250 Lines
- Battery backed up Flash Memory
- DIN rail Mounting
- Built-in RS 232 Modbus port
- Optional RS 485 Modbus port
- Power up Option : 230V AC, 24V DC

Type	Cat. No.	Description	M.R.P. (₹) Per Unit
Lμ1000 Programmable Smart Relay	L1000-A12BR	AC Powered Base Module, 8 Digital Inputs, 4 Digital Outputs (Relay)	7500
	L1000-A12ER	AC Powered Expansion Module, 8 Digital Inputs, 4 Digital Outputs (Relay)	4100
	L1000-D12BR	DC Powered Base Module, 8 Digital Inputs**, 4 Digital Outputs (Relay)	6800
	L1000-D12ER	DC Powered Expansion Module, 8 Digital Inputs**, 4 Digital Outputs (Relay)	4100
	L1000-USBPR	USB Programming Cable	1150
	L1000-MEMBK	Memory Card for storing Program	900
	L1000-RS232	RS 232 Cable for Communication on Modbus	1550
	L1000-485AC	AC Powered, RS 485 module for Modbus Communication	1700
	L1000-485DC	DC Powered, RS 485 module for Modbus Communication	2500

** In DC Modules, 2 Inputs can either be configured as Analog Inputs with 10 Bit Resolution (0-10 V DC) or can be Used as Digital Inputs

MAN MACHINE INTERFACE (MMI)

- Available from 3" to 15" in 8 models
- Touch LCD interface
- Modbus Serial, Ethernet, Field bus Communication
- Supports various Fonts and Graphics
- Supports various languages - Japanese, Korean etc
- Multiple PLCs, Controllers connectivity. Communication with ACB, MCCB, Energy Meter
- Advanced features: Multy - Language, Graphic, Extended Alarms, Recipe, Data Logging, Printing, Password protection, Trends
- Supports scripting

Type	Cat. No.	Description	M.R.P. (₹) Per Unit
1	LX-TEXTMATE	DC Powered, 3", 8-Line Alphanumeric Text Display	10400
2	S04TDAA	4.3" Wide 65536 Color TFT, SRAM, 480X272, 6M Memory(Serial only), DC powered	20000
3	E05TDAA	5.7" 65536 Color TFT, SRAM, 320X240, (Serial/USB/CF/Ethernet), DC powered	50000
4	S07TDAA	7" Wide 65536 Color TFT, SRAM, 800X480, 26M Memory (Serial only), DC powered	29000
5	E08TDAA	8.4" 65536 Color TFT, SRAM, 640*480, (Serial/USB/CF/Ethernet), DC powered	65000
6	E10TDAA	10.4" 65536 Color TFT, SRAM, 800x600, (Serial/USB/CF/Ethernet), DC powered	85000
7	F12TAAA	12.1" 65536 Color TFT, SRAM, 800x600, (Serial/USB/CF/Ethernet, Option: Profibus slave), AC powered	150000
8	F15TAAA	15" 65536 Color TFT, SRAM, 1024x768, (Serial/USB/CF/Ethernet, Option: Profibus slave), AC powered	200000

REACTIVE POWER MANAGEMENT PRODUCTS

Power Factor Correction Capacitors

Duty	Type	kVAr Rating	Voltage (V)	M.R.P. (₹) per kVAr
Standard Duty	Cylindrical	1 to 25	440	165
	Box	1 to 30	440	216
Heavy duty	Cylindrical (Gas Filled)	3 to 25	440	301
			480	331
			525	361
	Box (Resin Filled)	5 to 20	440	351
			25 to 50	350
			5 to 20	386
Ultra Heavy Duty (LTXL)	Box	5 to 100	440	550
			480	605



7% Detuned Reactors, 440V 50Hz

kVAr Rating	Cat. No.	M.R.P. (₹) per kVAr
5	LTFR0705B2	7000
10	LTFR0710B2	11000
15	LTFR0715B2	13500
20	LTFR0720B2	16000
25	LTFR0725B2	17000
50	LTFR0750B2	27000
75	LTFR0775B2	40000
100	LTFR0700B2	55000

Selection of Capacitors with Reactor Voltage: 440V, Capacitor Voltage: 480V	
Output kVAr	Selection
10	10kVAr 7% Reactor + 12.5kVAr Capacitor
15	15kVAr 7% Reactor + 20kVAr Capacitor
20	20kVAr 7% Reactor + 25kVAr Capacitor
25	25kVAr 7% Reactor + 30kVAr Capacitor
50	50kVAr 7% Reactor + 2 X 30kVAr Capacitors

Sample Selection: for 25kVAr 7% detuned reactors with heavy duty capacitor, place an order for:

1 No. 25kVAr 7% detuned reactor: LTFR0725B2 & 1 No. 30kVAr LTCCN capacitors at 480V: LTCCN330C2

Thyristor Switching Module, 440V 50Hz

kVAr Rating	Cat. No.	M.R.P. (₹) per kVAr
10	LTTSM10B2	19280
25	LTTSM25B2	27500
50	LTTSM50B2	32100

Standard APFC Panels

kVAr Ratings	Cat No.	Step sizes (kVAr)	M.R.P. (₹) per kVAr
35	LTAPFH0351B2	2x12.5 + 2x5	*
50	LTAPFH0501B2	2 x 12.5 + 2x10 + 1x5	*
75	LTAPFH0751B2	2 x 25 + 2x10 + 1x5	*
100	LTAPFH1001B2	50 + 25 + 15 + 10	*
125	LTAPFH1251B2	2 x 12.5 + 2 x 25 + 50	*
150	LTAPFH1501B2	2 x 12.5 + 3 x 25 + 50	*
175	LTAPFH1751B2	2 x 12.5 + 2 x 25 + 2 x 50	*
200	LTAPFH2001B2	2 x 12.5 + 25 + 3 x 50	*
225	LTAPFH2251B2	2 x 12.5 + 4 x 50	*
250	LTAPFH2501B2	2 x 25 + 4 x 50	*
275	LTAPFH2751B2	1x100 + 3x50 + 2x12.5	*
300	LTAPFH3001B2	1x100 + 3x50 + 2x25	*

* Prices on request

All the above panels are with Heavy Duty capacitors, MCCB main incomer, MCCB branch protection and contactor switched.

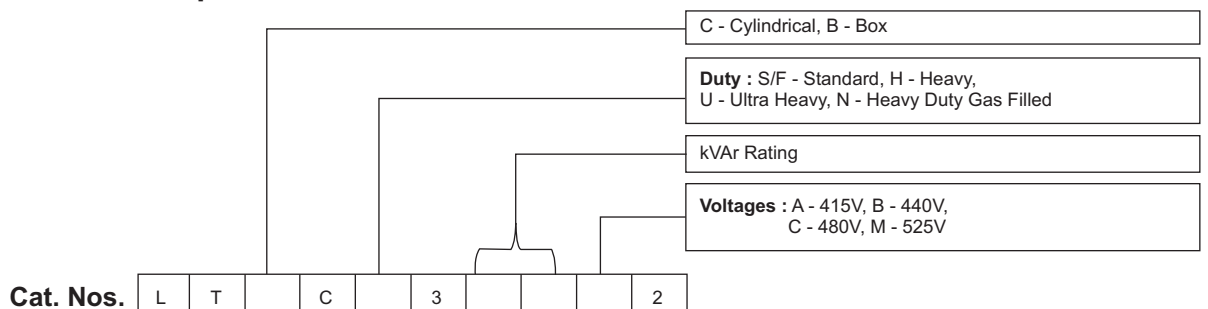
Standard lead time for APFC panels is 10 weeks.

For other ratings and thyristor switched APFC Panels, please contact nearest branch office.

Standard APFC panels with 7% detuned harmonics filters

kVAr Ratings	Cat No.	Step sizes (kVAr)	M.R.P. (₹) per kVAr
100	LTAPFH1002B2	2 x 12.5 + 25 + 50	*
125	LTAPFH1252B2	2 x 12.5 + 2 x 25 + 50	*
150	LTAPFH1502B2	2 x 12.5 + 3 x 25 + 50	*
175	LTAPFH1752B2	2 x 12.5 + 2 x 25 + 2 x 50	*
200	LTAPFH2002B2	2 x 12.5 + 1 x 25 + 3 x 50	*
225	LTAPFH2252B2	3 x 12.5 + 4 x 50	*
250	LTAPFH2502B2	2 x 25 + 4 x 50	*
275	LTAPFH2752B2	1x100 + 3x50 + 2x12.5	*
300	LTAPFH3002B2	1x100 + 3x50 + 2x25	*

Ordering Information for Capacitors



DIGITAL PROTECTIVE RELAYS

3 Phase Over Current + Earth Fault Relay

C.T. Rating 1A or 5A, Field Selectable

Model	Aux. Supply (V)	Output Contacts	Cat. No.	M.R.P. (₹) Per Unit	Std Pkg. (Nos.)
MC31A	20 - 110V AC/DC	4 NO	MC31AAXX000	17000	1
MC31A	20 - 110V AC/DC	2 NO + 2 NC	MC31AAXX001	17000	1
MC31A	88 - 264V AC/DC	4 NO	MC31ABXX000	17000	1
MC31A	88 - 264V AC/DC	2 NO + 2 NC	MC31ABXX001	17000	1

Single Pole Over Current or Earth Fault Relay

Model	Aux. Supply (V)	C.T. Secondary (A)	Cat. No.	M.R.P. (₹) Per Unit	Std Pkg. (Nos.)
MC12A	20 - 110V AC/DC	1A	MC12AA10X00	9400	1
MC12A	20 - 110V AC/DC	5A	MC12AA50X00	9400	1
MC12A	88 - 264V AC/DC	1A	MC12AB10X00	9400	1
MC12A	88 - 264V AC/DC	5A	MC12AB50X00	9400	1

3 Phase Over Current + Earth Fault Relay With High Set

C.T. Rating 1A or 5A, Field Selectable

Model	Aux. Supply (V)	Output Contacts	Cat. No.	M.R.P. (₹) Per Unit	Std Pkg. (Nos.)
MC61A	20 - 110V AC/DC	4 NO	MC61AAXX000	23000	1
MC61A	20 - 110V AC/DC	2 NO + 2 NC	MC61AAXX001	23000	1
MC61A	88 - 264V AC/DC	4 NO	MC61ABXX000	23000	1
MC61A	88 - 264V AC/DC	2 NO + 2 NC	MC61ABXX001	23000	1

Single Pole Sensitive Earth Fault Relay

Model	Aux. Supply (V)	C.T. Secondary (A)	Cat. No.	M.R.P. (₹) Per Unit	Std Pkg. (Nos.)
ME12A	20 - 110V AC/DC	1A	ME12AA10000 *	9400	1
ME12A	20 - 110V AC/DC	5A	ME12AA50000 *	9400	1
ME12A	88 - 264V AC/DC	1A	ME12AB10000 *	9400	1
ME12A	88 - 264V AC/DC	5A	ME12AB50000 *	9400	1

* - available on request only

3 Phase Over Current + Earth Fault Relay with High Set & RS-485

C.T. Rating 1A or 5A, Not Field Selectable

Model	Aux. Supply (V)	C.T. Secondary (A)		Cat. No.	M.R.P. (₹) Per Unit	Std Pkg. (Nos.)
		In	On			
MC61C	20 - 110V AC/DC	1	1	MC61CA11000 *	39000	1
MC61C	20 - 110V AC/DC	5	5	MC61CA55000 *	39000	1
MC61C	88 - 264V AC/DC	1	1	MC61CB11000 *	39000	1
MC61C	88 - 264V AC/DC	5	5	MC61CB55000 *	39000	1

* - available on request only

Single Phase Under Voltage or Over Voltage Relay

Model	Aux. Supply (V)	Cat. No.	M.R.P. (₹) Per Unit	Std Pkg. (Nos.)
MV12A	20 - 110V AC/DC	MV12AA00X00	9400	1
MV12A	88 - 264V AC/DC	MV12AB00X00	9400	1

Instantaneous Earth Fault Relay

C.T. Rating 1A or 5A, Not Field Selectable

Model	C.T. Secondary (A)	Range	Cat. No.	M.R.P. (₹) Per Unit	Std Pkg. (Nos.)
SC14S	1	10 - 40 %	MC14SX10100	8200	1
SC14S	1	20 - 80 %	MC14SX10200	8200	1
SC14S	5	10 - 40 %	MC14SX50100	8200	1
SC14S	5	20 - 80 %	MC14SX50200	8200	1

Mini Motor Protection Relay#

Model	Thermal O/L Range (A)	Cat. No.	M.R.P. (₹) Per Unit	Std Pkg. (Nos.)
MPR300	1 - 2.75	MPR300BE010	5500	1
MPR300	2 - 5.5	MPR301BE020	5500	1
MPR300	4 - 11	MPR302BE040	5500	1
MPR300	8 - 22	MPR303BE080	5500	1
MPR300	16 - 44	MPR304BE160	5500	1
MPR300	32 - 88	MPR305BE320	5500	1

Reverse Power Relay

Model	Aux. Supply (V)	C.T. Secondary (A)	Cat. No.	M.R.P. (₹) Per Unit	Std Pkg. (Nos.)
MRP11	20 - 110V AC/DC	1A	MRP11A10X00	21000	1
MRP11	20 - 110V AC/DC	5A	MRP11A50X00	21000	1
MRP11	88 - 264V AC/DC	1A	MRP11B10X00	21000	1
MRP11	88 - 264V AC/DC	5A	MRP11B50X00	21000	1

APFC Relays

Model	Description	Cat. No.	M.R.P. (₹) Per Unit	Std Pkg. (Nos.)
RPM 8	Eight Stage APFC Relay	MRPM0800000	13200	1
RPM 14	Fourteen Stage APFC Relay	MRPM1400000	16400	1

With AUX. supply 240 AC
AUX. supply 110V AC available on request

DIGITAL PROTECTIVE RELAYS

Other Relays

Model	Description	Device Code	Cat. No.	M.R.P. (₹) Per Unit	Std Pkg (Nos.)
UFD34	Frequency Relay 20 - 110V	81, 27, 59, df/dt	EFD34A00000	120000	1
UDF34	Frequency Relay 88 - 264V	81, 27, 59, df/dt	EFD34B00000	120000	1
MM30	Motor Protection Relay 20 - 110V	49, 51LR, 46, 37, 50/51, 64, St No, ITR	EMM30AXX00E	66000	1
MM30	Motor Protection Relay 88 - 264V	49, 51LR, 46, 37, 50/51, 64, St No, ITR	EMM30BXX00E	66000	1
MM30W	Motor Protection Relay with Voltage Input 20 - 110V	12/14, 27/59, 47, 48, 55, 66, 68, 81 49, 51LR, 46, 37, 50/51, 64 St No, ITR	EMM30WAX002 *	82000	1
MM30W	Motor Protection Relay with Voltage Input 88 - 264V	12/14, 27/59, 47, 48, 55, 66, 68, 81 49, 51LR, 46, 37, 50/51, 64 St No, ITR	EMM30WBX002 *	82000	1
MG30	Generator Protection Relay For Generators with NGR (Neutral Grounding Resistor) 20 - 110V	21, 24, 27/59, 32, 37, 40, 46, 49, 50/27, 50V/51V, 51BF, 60FL, 64S, 68, 81	EMG30AXX000	210000	1
MG30	Generator Protection Relay For Generators with NGR (Neutral Grounding Resistor) 88 - 264V	21, 24, 27/59, 32, 37, 40, 46, 49, 50/27, 50V/51V, 51BF, 60FL, 64S, 68, 81	EMG30BXX000	210000	1
MG30-I	Generator Protection Relay For Generators without NGR (Neutral Grounding Resistor) 20 - 110V	21, 24, 27/59, 32, 37, 40, 46, 49, 50/27, 50V/51V, 51BF, 60FL, 64S, 68, 81	EM30GIAXX00	210000	1
MG30-I	Generator Protection Relay For Generators without NGR (Neutral Grounding Resistor) 88 - 264V	21, 24, 27/59, 32, 37, 40, 46, 49, 50/27, 50V/51V, 51BF, 60FL, 64S, 68, 81	EM30GIBXX00	210000	1
MD32G	Differential Relay for Generator 20 - 110V	87, 50/51, 87N	ED32GAXX000 *	260000	1
MD32G	Differential Relay for Generator 88 - 264V	87, 50/51, 87N	ED32GBXX000 *	260000	1
MD32T	Differential Relay for Transformer 20 - 110V, W/O ref	87RYB, 87N	ED32TAXX000 *	220000	1
MD32T	Differential Relay for Transformer 88 - 264V, W/O ref	87RYB, 87N	ED32TBXX000 *	220000	1
SPM21	Auto Synchronizing Relay 20 - 110V	25	EPM21A00000 *	140000	1
SPM21	Auto Synchronizing Relay 88 - 264V	25	EPM21B00000 *	140000	1
UM30	U/V Relay with Neutral Monitoring 20 - 110V	59, 81, 27	EUM30A00000 *	120000	1
UM30	U/V Relay with Neutral Monitoring 88 - 264V	59, 81, 27	EUM30B00000 *	120000	1

* - available on request only

ELECTRONIC METERING DEVICES

Single phase kWh meter with LCD display

Model EM101 + Class 1 Base mounting

Description	Cat. No.	M.R.P. (₹) Per Unit
1Ph LCD Meter 5-30A with out optical port	WM101BC5DL0	1600
1Ph LCD Meter 10-60A with out optical port	WM101BC7DL0	1900
1Ph LCD Meter 10-60A with optical port *	WM101BC7DLP	2200

* - available on request only

3 phase kWh meter flush mounting meter

Model Acrux, Nova & Geimini Class 1 (Flush Mounting) 96 x 96 mm

Description	Cat. No.	M.R.P. (₹) Per Unit
3Ph 4 W 240V 5A with RS485 (Dual source kWh meter) - Geimini	WM30DFC3CRS	6000
3Ph 4 W 240V 5A with RS485 (kWh meter with RS485 port) - Nova	WM30KFC3CRS	4000
3Ph 4 W 240V 1A (kWh meter counter type) - Acrux	WM301FC1C10	5400
3Ph 4 W 240V 5A (kWh meter counter type) - Acrux	WM301FC3C10	5000

3 phase 4 wire kWh base mounting meter

Model EM301B Class 1

Description	Cat. No.	M.R.P. (₹) Per Unit
3Ph 4 W kWh CT op base mtg 240V 1-2A	WM301BC1C00	4700
3Ph 4 W kWh CT op base mtg 240V 5 -10 A	WM301BC3C00	4200
3Ph 4 W kWh Dir base mtg 240V 5 -20 A Sleek	WM301BC4D20	4200
3Ph 4 W kWh Dir base mtg 240V 10 -40 A Sleek	WM301BC6D20	4200
3Ph 4 W kWh Dir base mtg 240V 10 - 60 A big body	WM301BC7D10	4300
3Ph 4 W kWh Dir base mtg 240V 50 -100 A big body	WM301BC8D10	6100

INTELLIGENT PANEL METER

MODEL QUASAR Class 1 (Flush Mounting) 96 x 96 mm

Description	Cat. No.	M.R.P. (₹) Per Unit
3PH, 4W IPM 240 V (L-N) 1 A Class 1 FM *	WI300FC1300	8500
3PH, 4W IPM 240 V (L-N) 5 A Class 1 FM	WI300FC5300	8500
3PH, 3W IPM 110 V (L-N) 1 A Class 1 FM *	WI301FC1300	8500
3PH, 3W IPM 110 V (L-N) 5 A Class 1 FM *	WI301FC5300	8500
3PH, 4W IPM 110 V (L-L) 1A Class 1 FM *	WI300FB1300	8500
3PH, 4W IPM 110 V (L-L) 5A Class 1 FM *	WI300FB5300	8500
3PH, 4W IPM 240 V (L-N) 1 A Class 1 FM with RS485 *	WI300FC13RS	9500
3PH, 4W IPM 240 V (L-N) 5 A Class 1 FM with RS485	WI300FC53RS	9500
3PH, 3W IPM 110 V (L-N) 1 A Class 1 FM with RS485 *	WI301FC13RS	9500
3PH, 3W IPM 110 V (L-N) 5 A Class 1 FM with RS485 *	WI301FC53RS	9500
3PH, 4W IPM 110 V (L-L) 1A Class 1 FM with RS485 *	WI300FB13RS	9500
3PH, 4W IPM 110 V (L-L) 5A Class 1 FM with RS485 *	WI300FB53RS	9500

* - available on request only

INTELLIGENT PANEL METER

MODEL QUASAR plus Class 0.5 (Flush Mounting) 96 x 96 mm

Description	Cat. No.	M.R.P. (₹) Per Unit
3PH, 4W IPM 240 V (L-N) 1 A Class 0.5 FM *	WI300FC1200	10500
3PH, 4W IPM 240 V (L-N) 5 A Class 0.5 FM	WI300FC5200	10500
3PH, 3W IPM 110 V (L-N) 1 A Class 0.5 FM *	WI301FC1200	10500
3PH, 3W IPM 110 V (L-N) 5 A Class 0.5 FM *	WI301FC5200	10500
3PH, 4W IPM 110 V (L-L) 1A Class 0.5 FM *	WI300FB1200	10500
3PH, 4W IPM 110 V (L-L) 5A Class 0.5 FM *	WI300FB5200	10500
3PH, 4W IPM 240 V (L-N) 1 A Class 0.5 FM with RS485 *	WI300FC12RS	11500
3PH, 4W IPM 240 V (L-N) 5 A Class 0.5 FM with RS485	WI300FC52RS	11500
3PH, 3W IPM 110 V (L-N) 1 A Class 0.5 FM with RS485 *	WI301FC12RS	11500
3PH, 3W IPM 110 V (L-N) 5 A Class 0.5 FM with RS485 *	WI301FC52RS	11500
3PH, 4W IPM 110 V (L-L) 1A Class 0.5 FM with RS485 *	WI300FB12RS	11500
3PH, 4W IPM 110 V (L-L) 5A Class 0.5 FM with RS485 *	WI300FB52RS	11500

* - available on request only

Trivector Meter Class 0.2

MODEL ER300P Class 0.2 (base Mounting)

Description	Cat. No.	M.R.P. (₹) Per Unit
3PH, 4W TVM 110V (L-L) 1 A Class 0.2 BM	WR300BB1100	45000
3PH, 4W TVM 110V (L-L) 5 A Class 0.2 BM *	WR300BB5100	45000
3PH, 4W TVM 110V (L-L) 1 A Class 0.2 BM RS485	WR300BB11RS	48000
3PH, 4W TVM 110V (L-L) 1 A Class 0.2 BM RS485	WR300BB51RS	48000

* - available on request only

Trivector Meter Class 0.5

MODEL ER300P Class 0.5 (base Mounting)

Description	Cat. No.	M.R.P. (₹) Per Unit
3PH, 3W TVM 110V (L-L) 1 A Class 0.5 BM *	WR200BB1200	20000
3PH, 3W TVM 110V (L-L) 5 A Class 0.5 BM *	WR200BB5200	20000
3PH, 4W TVM 110V (L-L) 1 A Class 0.5 BM	WR300BB1200	20000
3PH, 4W TVM 110V (L-L) 5 A Class 0.5 BM *	WR300BB5200	20000
3PH, 4W TVM 240V (L-L) 1 A Class 0.5 BM *	WR300BC1200	20000
3PH, 4W TVM 240V (L-L) 5 A Class 0.5 BM	WR300BC5200	20000
3PH, 3W TVM 110V (L-L) 1 A Class 0.5 BM RS485 *	WR200BB12RS	24000
3PH, 3W TVM 110V (L-L) 5 A Class 0.5 BM RS485 *	WR200BB52RS	24000
3PH, 4W TVM 110V (L-L) 1 A Class 0.5 BM RS485	WR300BB12RS	24000
3PH, 4W TVM 110V (L-L) 5 A Class 0.5 BM RS485 *	WR300BB52RS	24000
3PH, 4W TVM 240V (L-L) 1 A Cl 0.5 BM RS485 *	WR300BC12RS	24000
3PH, 4W TVM 240V (L-L) 5 A Cl 0.5 BM RS485	WR300BC52RS	24000

* - available on request only

Trivector Meter Class 1 whole current meter

MODEL ER300P Class 1 (base Mounting)

Description	Cat. No.	M.R.P. (₹) Per Unit
3PH, 4W TVM 240 V 10 - 60A BM *	WR300BC6300	10000
3PH, 4W TVM 240 V 10 - 60A BM RS485 *	WR300BC63RS	12000

* - available on request only

DISCONTINUED PRODUCTS

The following products have been discontinued effective 4-10-2010 :

Product Group	Range
Controlgear	MVX - Vacuum Contactors
	MNX - G MPCBs
	ML 0/1 Contactors
	MNX R - Relays
	MN Spares
	Bar Mounted Contactors
Changeover Switches	FGC 125A - 1000A
MCCB	DTH 100/200/250/400A

Switchgear Training Centres

Switchgear Training Centers at Pune, Lucknow & Coonoor conduct training programmes to assist engineers and professionals in developing a better understanding of electrical & automation products & solutions.

These training programmes impart knowledge on selection, installation, maintenance & testing of electrical & automation products. These programmes help to minimize costs, enhance safety, conserve energy and maximize productivity.

Over One Lakh participants have benefitted from these facilities so far.

Please contact any of the training centers for participation and detailed training programme schedule.



Pune

Larsen & Toubro Limited
Switchgear Training Centre
T-156/157, MIDC,
Bhosari, Pune:411 026.
Tel.: (020) 2712 0037 / 2712 0653
Fax.: (020) 2712 2933
E-mail :
STC-PUNE@LNTEBG.COM



Coonoor

Larsen & Toubro Limited
Switchgear Training Centre
Ooty-Coonoor Main Road,
Yellanahalli P.O., The Nilgiris -643 243.
Tel.: (0423) 251 7107
Fax.: (0423) 251 7158
E-mail :
STC-COONOOR@LNTEBG.COM



Lucknow

Larsen & Toubro Limited
Switchgear Training Centre
C-6&7, UPSIDC,
P.O. Sarojini Nagar, Lucknow:226 008.
Tel.: (0522) 247 6110 / 099355 63239
Fax.: (0522) 247 6015
E-mail :
STC-LUCKNOW@LNTEBG.COM

Electrical Standard Products (ESP) Branch Offices:

REGISTERED OFFICE AND HEAD OFFICE

L&T House, Ballard Estate
P. O. Box 278
Mumbai 400 001
Tel: 022-67525656
Fax: 022-67525858
Website: www.Larsentoubro.com

ELECTRICAL STANDARD PRODUCTS (ESP)

501, Sakar Complex I
Opp. Gandhigram Rly. Station
Ashram Road
Ahmedabad 380 009
Tel: 079-66304007-11
Fax: 079-26580491 / 66304025
e-mail: esp-ahm@LNTEBG.com

38, Cubbon Road, P. O. Box 5098
Bangalore 560 001
Tel: 080-25020100
Fax: 080-25580525
e-mail: esp-blr@LNTEBG.com

131/1, Zone II
Maharana Pratap Nagar
Bhopal 462 011
Tel: 0755-4098721 / 7 / 8 / 9
Fax: 0755-2769264
e-mail: esp-bho@LNTEBG.com

Plot No. 559, Annapurna Complex
Lewis Road
Bhubaneswar 751 014
Tel: 0674-6451342, 2436696
Fax: 0674-2537309
e-mail: esp-bbi@LNTEBG.com

SCO 32, Sector 26-D
Madhya Marg, P. O. Box 14
Chandigarh 160 026
Tel: 0172-4646840, 4646853
Fax: 0172-4646802
e-mail: esp-chd@LNTEBG.com

10, Club House Road
Chennai 600 002
Tel: 044-28462072 / 4 / 5 / 2109
Fax: 044-28462102 / 3
e-mail: esp-maa@LNTEBG.com

67, Appuswamy Road
Post Bag 7156
Opp. Nirmala College
Coimbatore 641 045
Tel: 0422-2588120 / 1 / 5
Fax: 0422-2588148
e-mail: esp-cbe@LNTEBG.com

L&T House, Group MIG-5
Padmanabhpur
Durg 491 001
Tel: 0788-2213833 / 14 / 21 / 29
Fax: 0788-2213820

Khairasol, Degaul Avenue
Durgapur 713 212
Tel: 2559848, 2559849, 2559844
Fax: 0343-2553614
e-mail: esp-dgp@LNTEBG.com

Milanpur Road, Bamuni Maidan
Guwahati 781 021
Tel: 0361-2550568
Fax: 0361-2551308
e-mail: esp-gau@LNTEBG.com

II Floor, Vasantha Chambers
5-10-173, Fateh Maidan Road
Hyderabad 500004
Tel: 040-66720250
Fax: 040-23296468
e-mail: esp-hyd@LNTEBG.com

D-24, Prithvi Raj Road, C-Scheme
Jaipur 302 001
Tel: 0141-2385915 / 16 / 17 / 18
Fax: 0141-2373280
e-mail: esp-jai@LNTEBG.com

Akashdeep Plaza, 2nd Floor
P. O. Golmuri
Jamshedpur 831 003
Jharkhand
Tel: 0657-2340864 / 387
Fax: 0657-2341250
e-mail: esp-jam@LNTEBG.com

Skybright Bldg; M. G. Road
Ravipuram Junction, Ernakulam
Kochi 682 016
Tel: 0484-4409420 / 4 / 5 / 7
Fax: 0484-4409426
e-mail: esp-cok@LNTEBG.com

3-B, Shakespeare Sarani
Kolkata 700 071
Tel: 033-44002572 / 3 / 4
Fax: 033-22822589
e-mail: esp-ccu@LNTEBG.com

A28, Indira Nagar, Faizabad Road
Lucknow 226 016
Tel: 0522-2312904 / 5 / 6
Fax: 0522-2311671
e-mail: esp-lko@LNTEBG.com

No: 73, Karpaga Nagar, 8th Street
K. Pudur
Madurai 625007
Tel: 0452-2537404, 2521068
Fax: 0452-2537552
e-mail: esp-mdu@LNTEBG.com

EBG North Wing Office-Level 2
Gate 7, Powai Campus
Mumbai 400 072
Tel: 022-67052874 / 2737 / 1156
Fax: 022-67051112
e-mail: esp-bom@LNTEBG.com

#12, Shivaji Nagar
North Ambazari Road
Nagpur 440 010
Tel: 0712-2260012 / 3
Fax: 0712-2260020 / 30
e-mail: esp-nag@LNTEBG.com

32, Shivaji Marg
P. O. Box 6223
New Delhi 110 015
Tel: 011-41419514 / 5 / 6
Fax: 011-41419600
e-mail: esp-del@LNTEBG.com

L&T House
P. O. Box 119
191/1, Dhole Patil Road
Pune 411 001
Tel: 020-26135048
Fax: 020-26124910, 26135048
e-mail: esp-pnq@LNTEBG.com

3rd Floor
Vishwakarma Chambers
Majura Gate, Ring Road
Surat 395 002
Tel: 0261-2473726
Fax: 0261-2477078
e-mail: esp-sur@LNTEBG.com

Radhadaya Complex
Old Padra Road
Near Charotar Society
Vadodara 390 015
Tel: 0265-6613610 / 1 / 2
Fax: 0265-2336184
e-mail: esp-bar@LNTEBG.com

48-8-16, Dwarakanagar
Visakhapatnam 530 016
Tel: 0891-6620411-2 / 3
Fax: 0891-6620416
e-mail: esp-viz@LNTEBG.com

Product improvement is a continuous process. For the latest information and special applications, please contact any of our offices listed here.

L&T SWITCHGEAR

SAFE & SURE

Electrical Standard Products
Larsen & Toubro Limited
Powai Campus, Mumbai 400 072
Customer Interaction Center (CIC)
BSNL / MTNL (toll free) : 1800 233 5858
Reliance (toll free) : 1800 200 5858
Tel : 022 6774 5858
Fax : 022 6774 5859
E-mail : cic@LNTEBG.com
Website : www.LNTEBG.com

